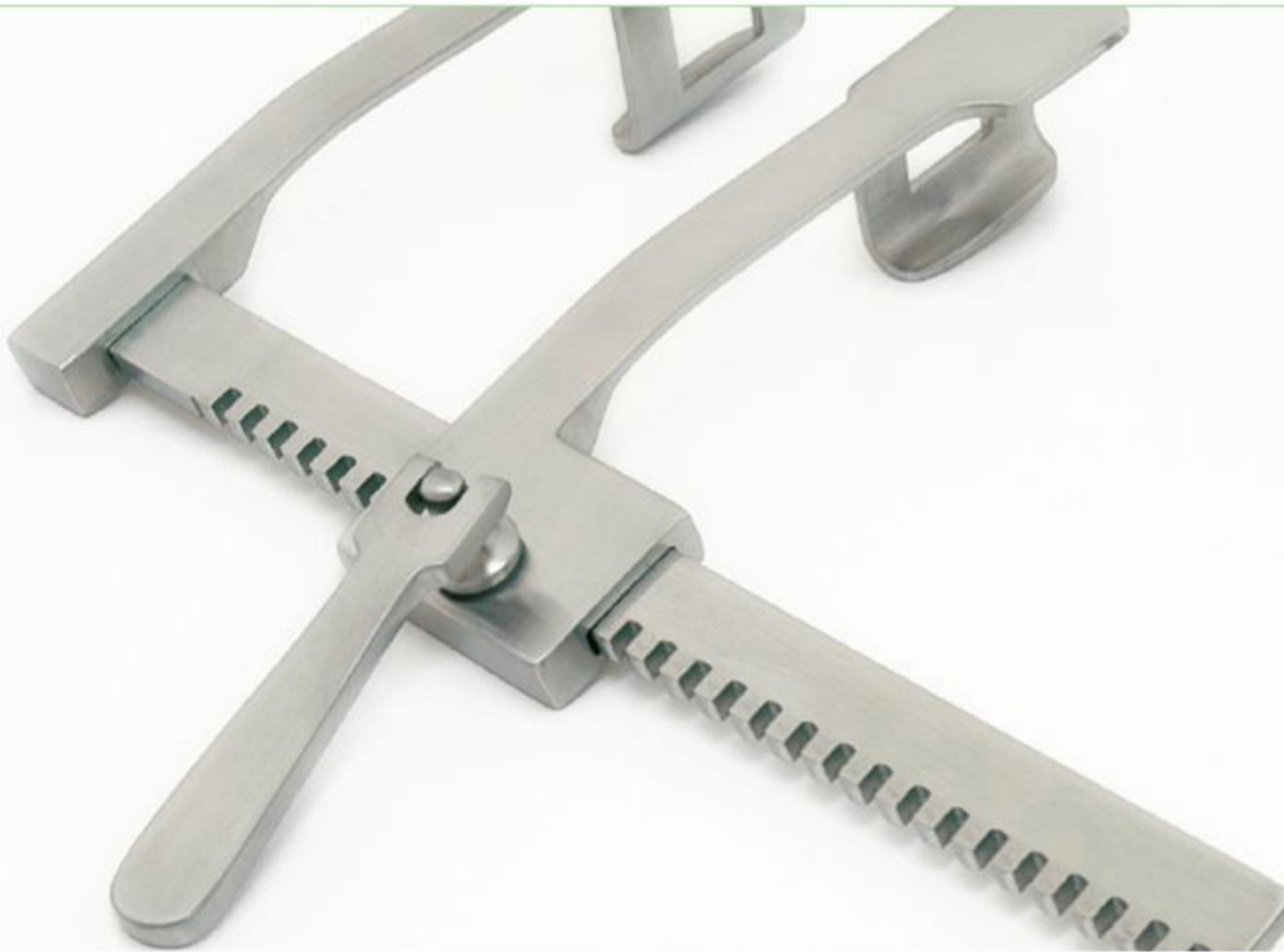
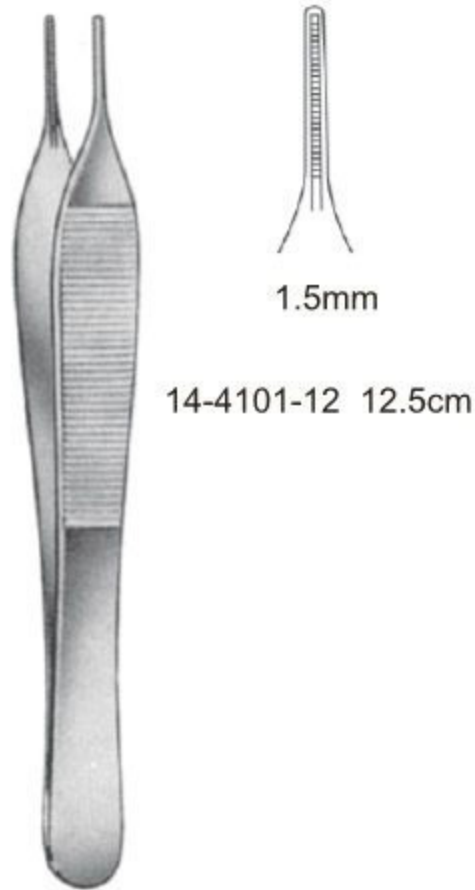


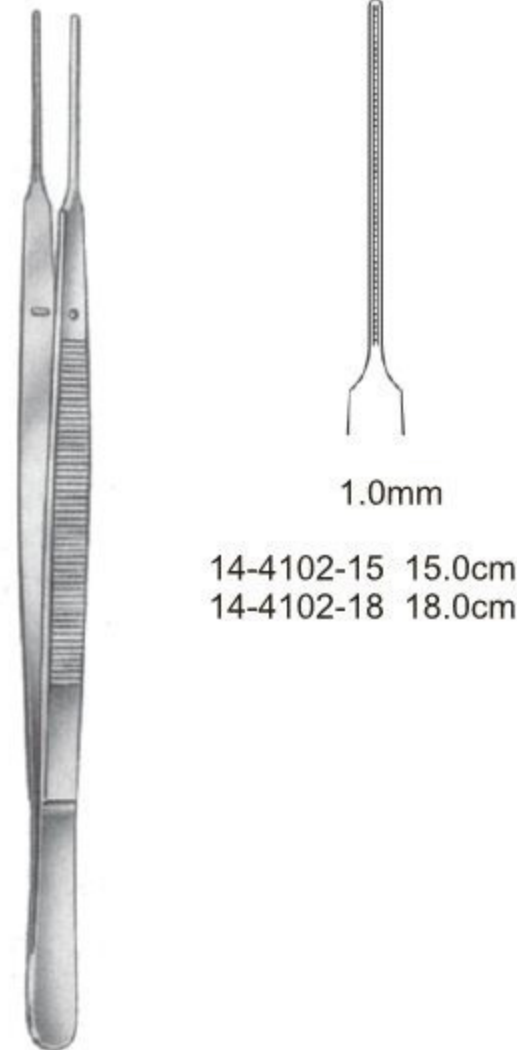
- EN** Cardiovascular Surgery
- DE** Herz- und Gefäßchirurgie
- ES** Cirugía cardiovascular

**Page 318 to 357**

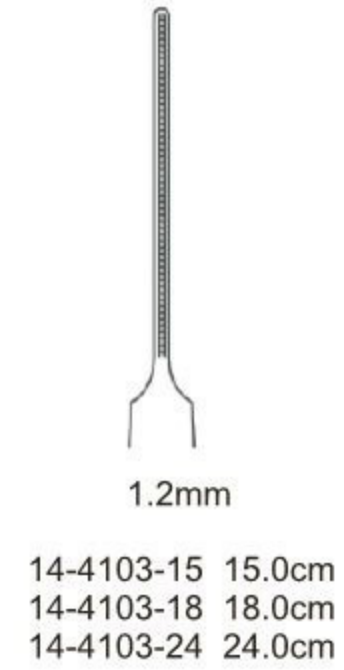




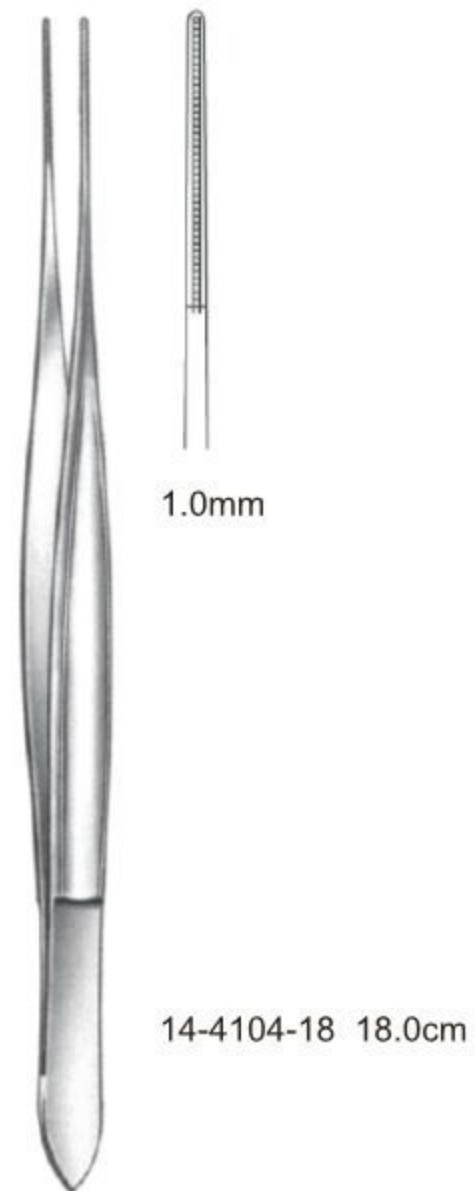
DEBAKEY-ADSON



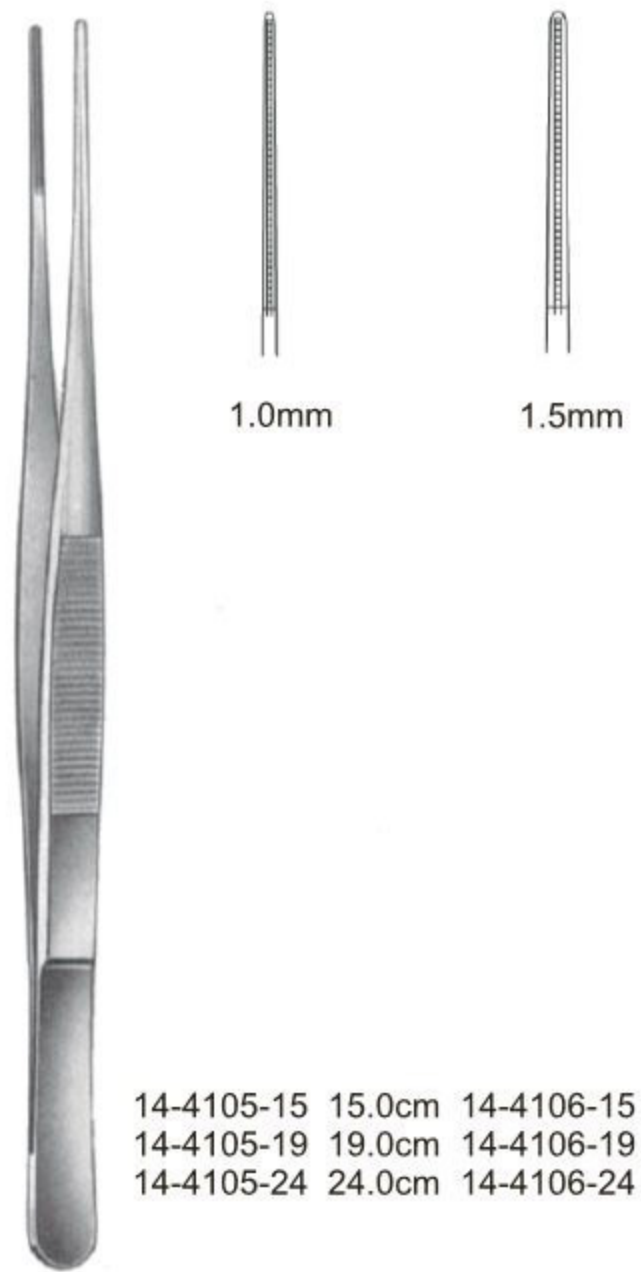
DEBAKEY-GERALD



DEBAKEY-LIGHT



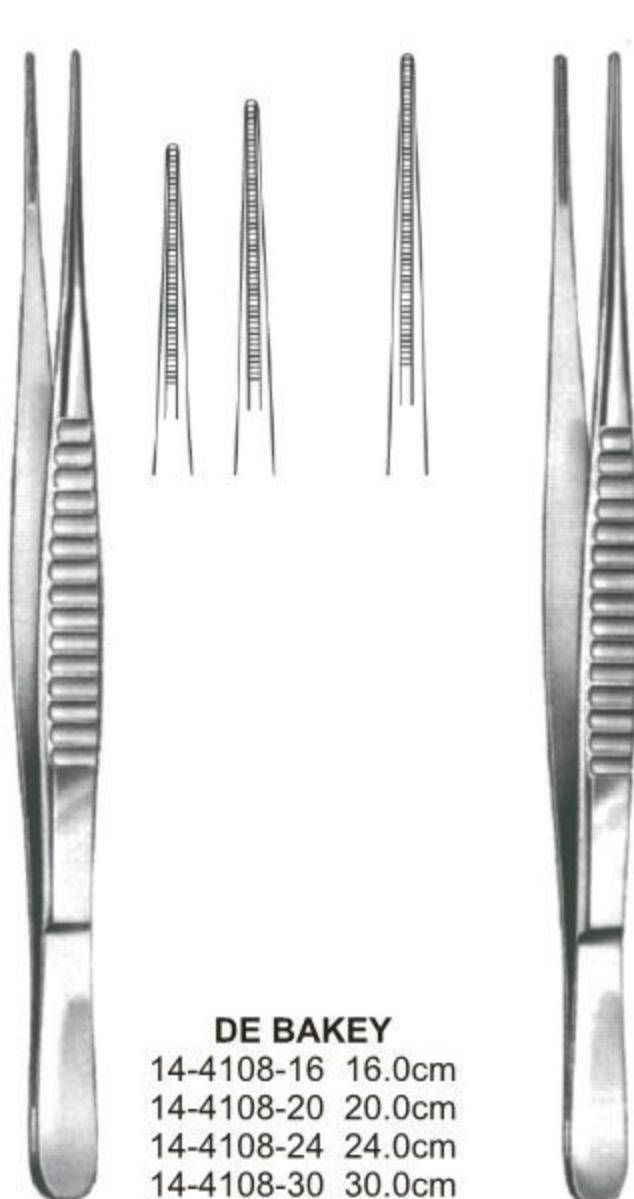
DEBAKEY-CUSHING



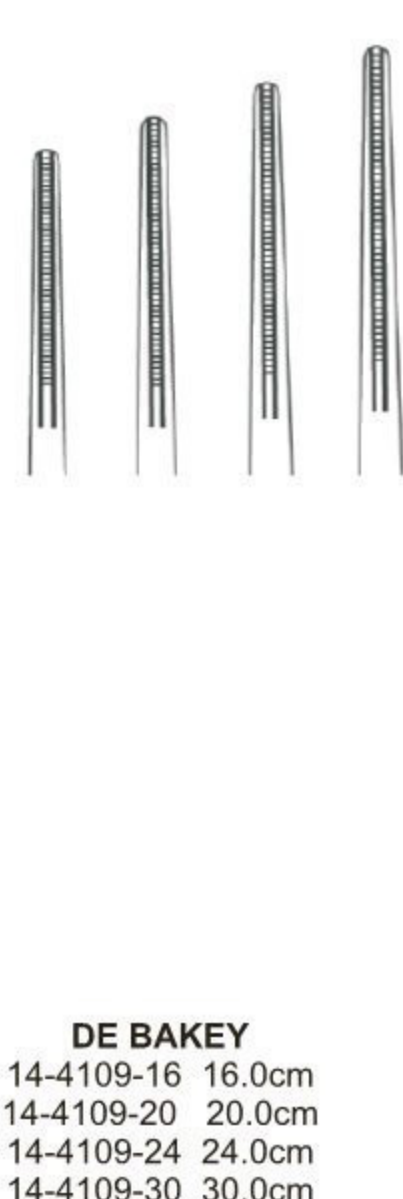
DEBAKEY-DIETRICH



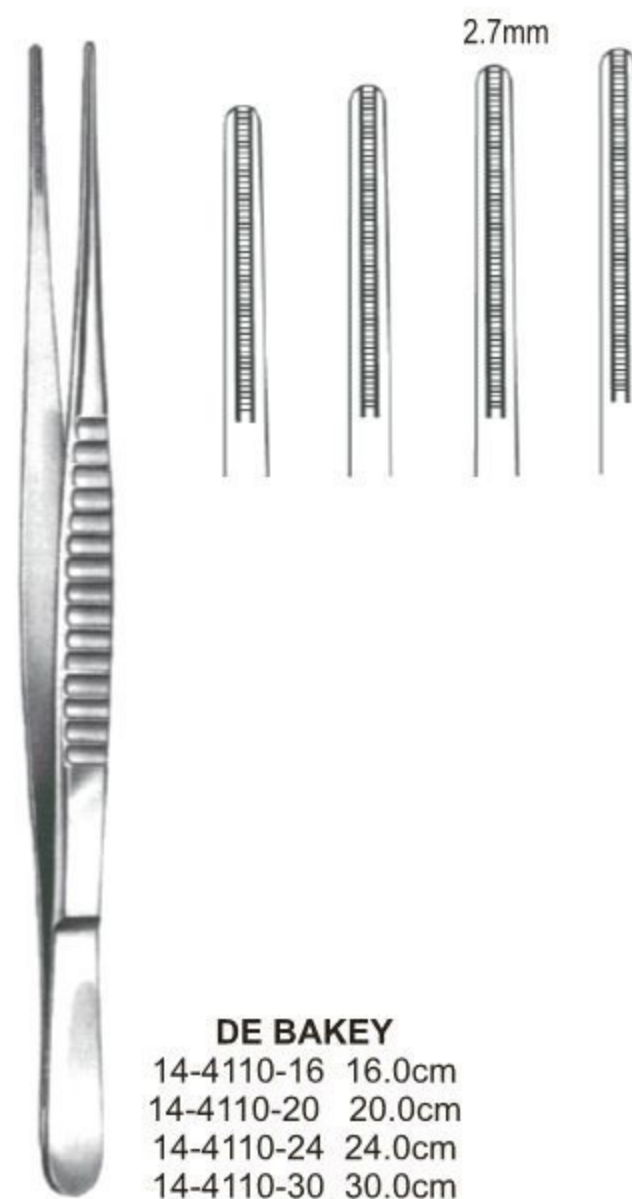
Atrauma Tissue Forceps ● EN  
 Atrauma Pinzetten ● DE  
 Pinzas de disección Atrauma ● ES



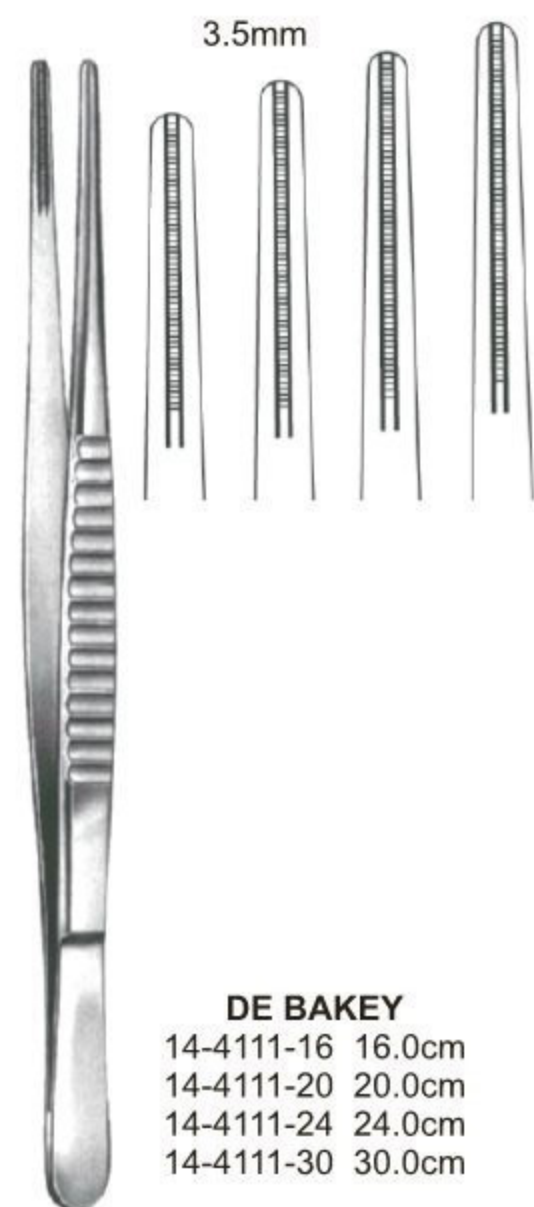
**DE BAKEY**  
 14-4108-16 16.0cm  
 14-4108-20 20.0cm  
 14-4108-24 24.0cm  
 14-4108-30 30.0cm



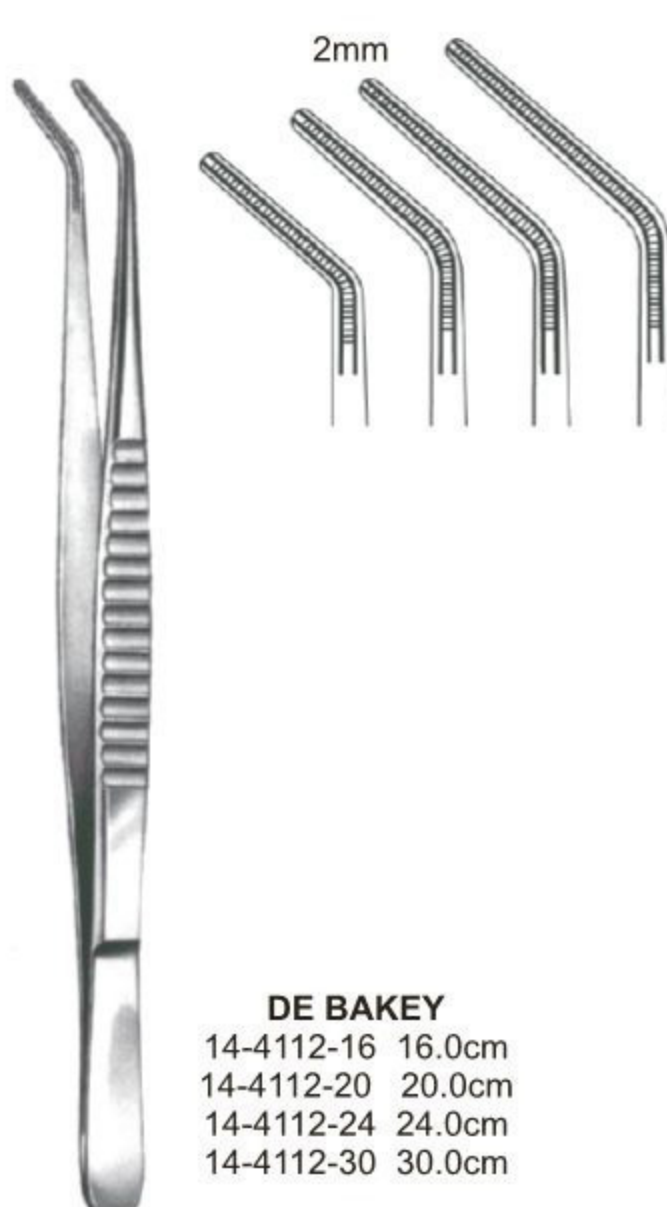
**DE BAKEY**  
 14-4109-16 16.0cm  
 14-4109-20 20.0cm  
 14-4109-24 24.0cm  
 14-4109-30 30.0cm



**DE BAKEY**  
 14-4110-16 16.0cm  
 14-4110-20 20.0cm  
 14-4110-24 24.0cm  
 14-4110-30 30.0cm



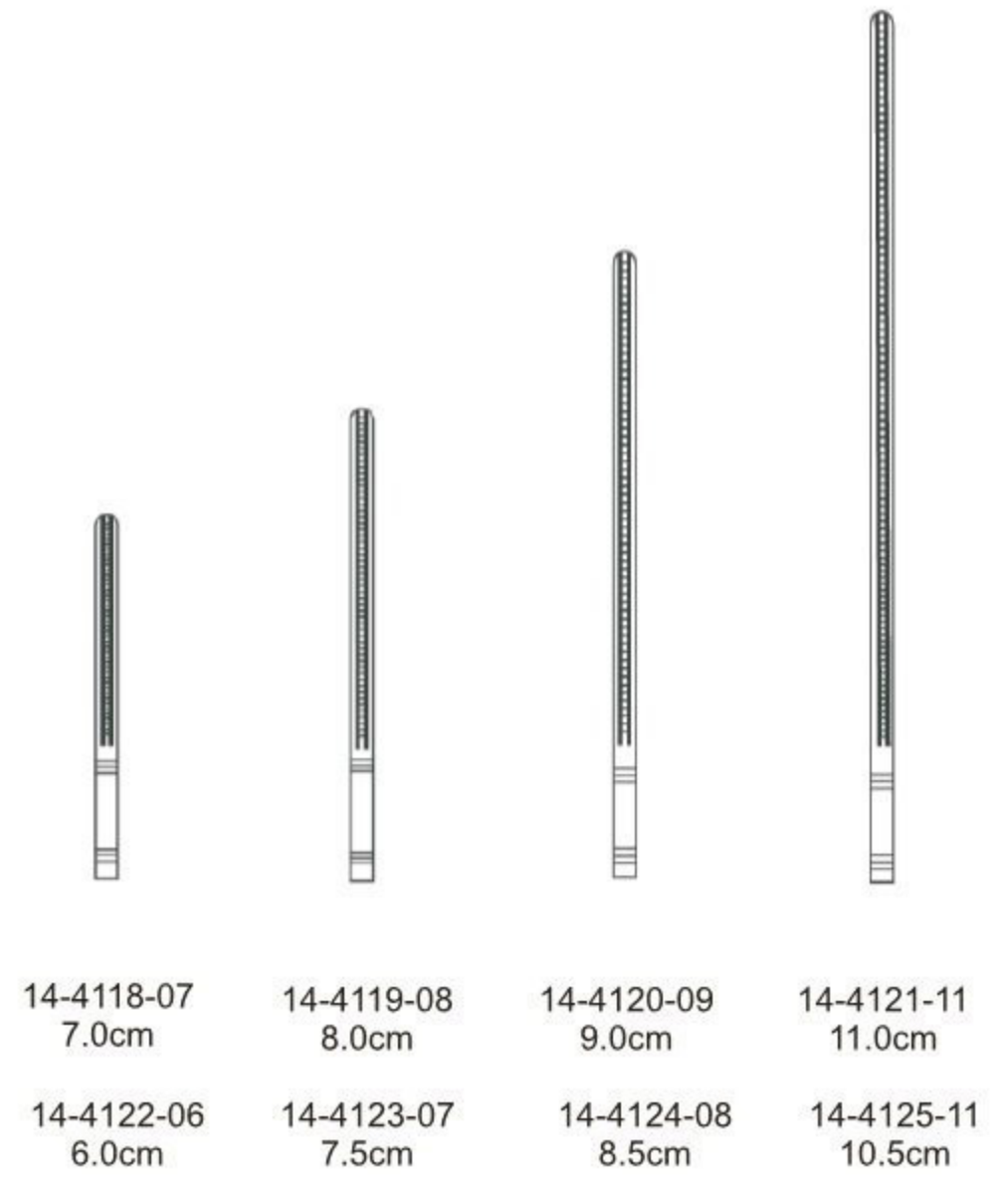
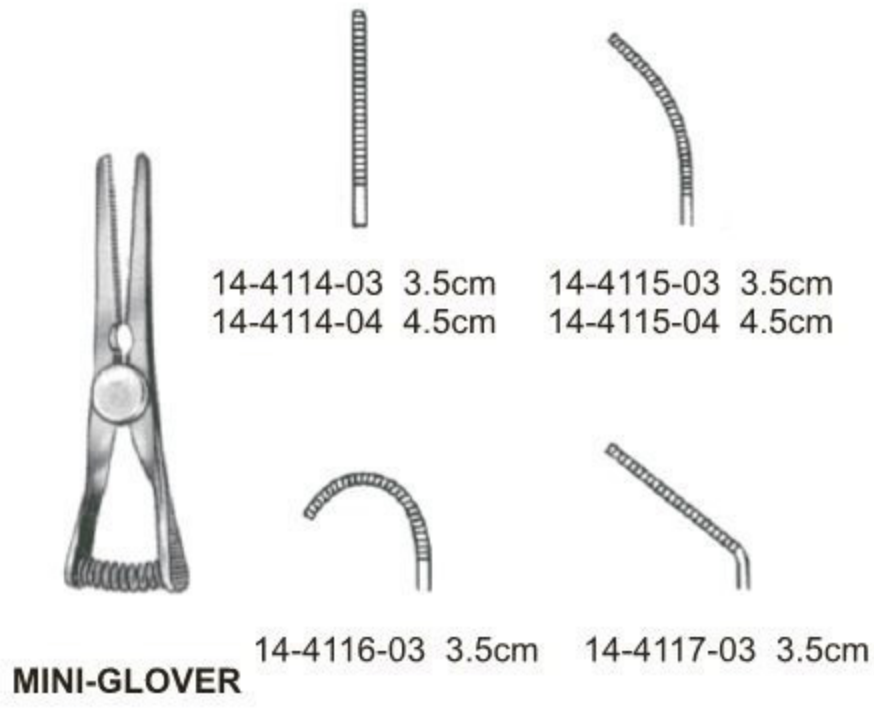
**DE BAKEY**  
 14-4111-16 16.0cm  
 14-4111-20 20.0cm  
 14-4111-24 24.0cm  
 14-4111-30 30.0cm



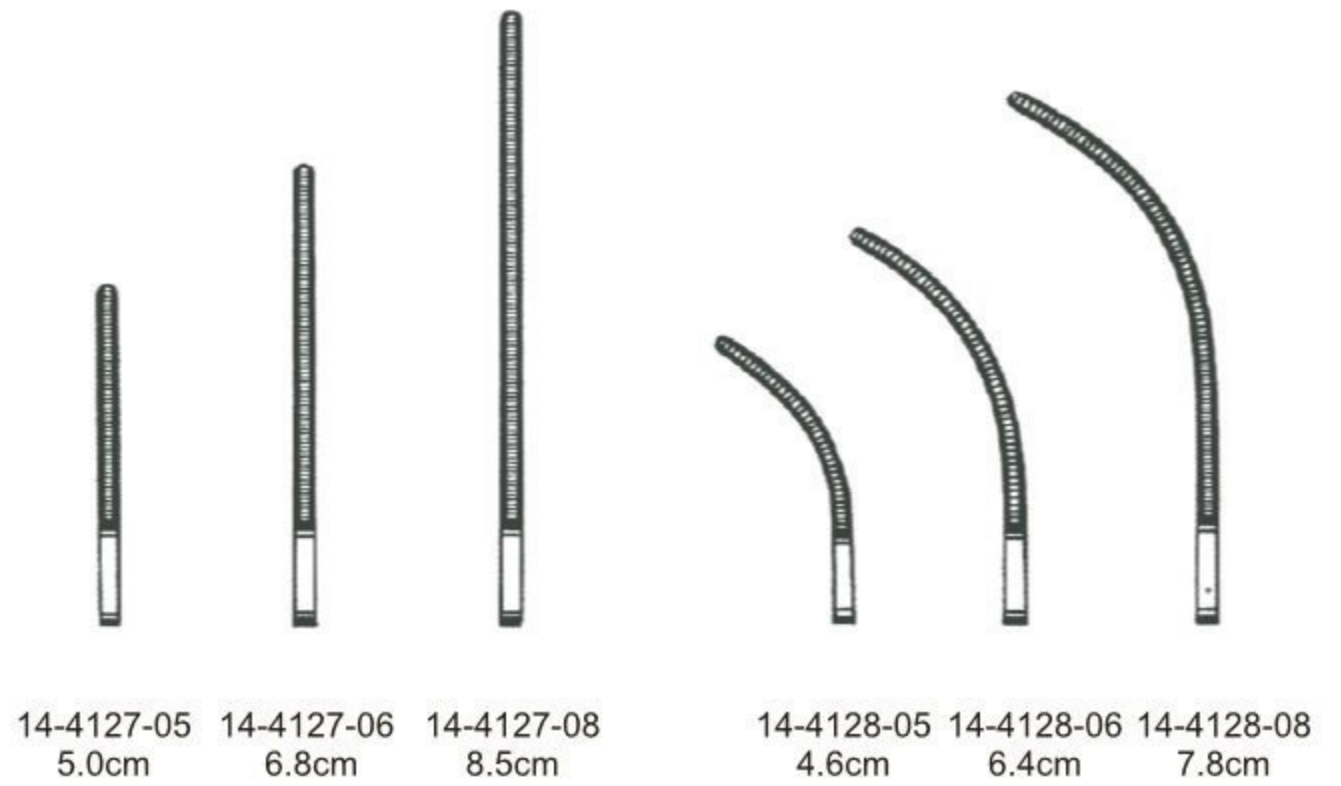
**DE BAKEY**  
 14-4112-16 16.0cm  
 14-4112-20 20.0cm  
 14-4112-24 24.0cm  
 14-4112-30 30.0cm



**DE BAKEY**  
 14-4114-16 16.0cm  
 14-4114-20 20.0cm  
 14-4114-24 24.0cm  
 14-4114-30 30.0cm



14-4126-05 5.0cm



- Atrauma Bulldog Clamps ●— EN
- Atrauma Bulldogklemmen ●— DE
- Atrauma Clamps Bulldog ●— ES



DE BAKEY



14-4129-07  
7.5cm



14-4129-08  
8.5cm



14-4129-10  
10.5cm



14-4129-12  
12.0cm



DE BAKEY



14-4130-07  
7.0cm



14-4130-08  
8.0cm



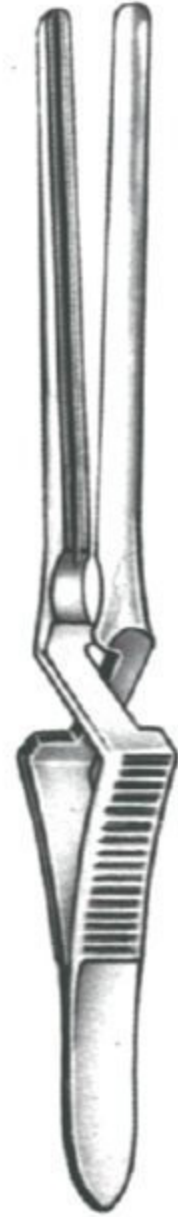
14-4130-10  
10.0cm



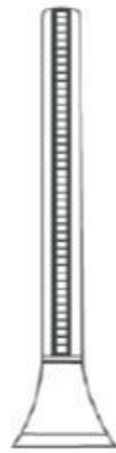
14-4130-11  
11.5cm



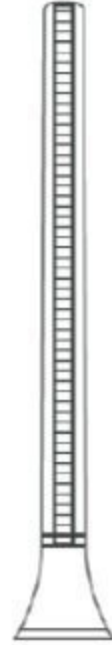
14-4131-23 23.0cm



GREGORY SOFT



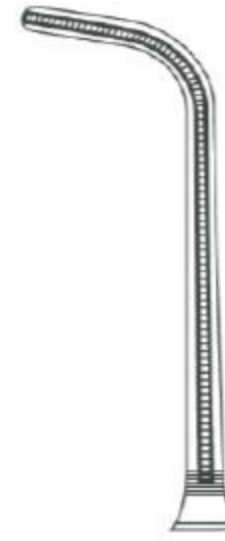
14-4132-09  
9.0cm



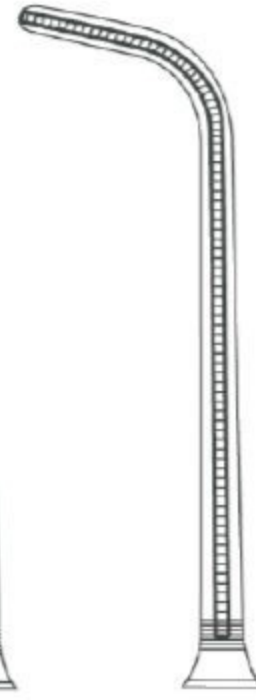
14-4132-11  
11.0cm



GREGORY SOFT



14-4133-09  
9.0cm



14-4133-11  
11.0cm



GREGORY SOFT  
11.0cm



14-4134-01



14-4134-02



SANTULLI  
14-4135-07 7.0cm

Atrauma Bulldog Clamps ● EN  
 Atrauma Bulldogklemmen ● DE  
 Atrauma Clamps Bulldog ● ES



**DE BAKEY-SATINSKY**  
 14-4136-07 7.0cm



**DE BAKEY-SATINSKY**  
 14-4137-10 10.0cm



**DE BAKEY-CAROTIS**  
 14-4138-09 9.0cm



De Bakey

Coarctation Clamps



Potts  
(De Bakey)



14-4139-21  
 21 cm/8¼"



14-4139-22  
 22 cm/8¾"



Potts  
(De Bakey)



14-4140-21  
 21 cm/8¼"



14-4140-22  
 22 cm/8¾"



De Bakey

Anastomosis Clamps



Potts



14-4141-21  
 21 cm/8¼"



14-4141-22  
 22 cm/8¾"



Glover  
(Potts)



14-4142-21  
 21 cm/8¼"



14-4142-22  
 22 cm/8¼"



Dissecting and  
 Ligature Forceps



De Bakey



14-4143-20  
 20 cm/8"



14-4143-24  
 24 cm/9½"



De Bakey



14-4144-20  
 20 cm/8"



14-4144-18  
 18 cm/7½"



De Bakey



Leland-Jones



14-4145-01  
 19.5 cm/7½"



14-4145-02  
 19.5 cm/7½"



14-4145-03  
 19.5 cm/7½"



Leland-Jones  
 14-4146-18  
 18 cm/7"



- EN —● Atrauma Cardiovascular Forceps
- DE —● Atrauma cardiovascular-klemmen
- ES —● Atrauma pinzas-clamps cardiovasculares

Aortic Aneurysm Clamps



De Bakey



De Bakey



14-4147-24  
24 cm/9½"



14-4147-27  
27 cm/10½"



14-4147-31  
31 cm/12¼"



14-4147-33  
33.5 cm/13¼"



De Bakey-Bainbirdge



14-4148-15  
15 cm/6"



14-4148-18  
18 cm/7"



14-4148-15  
15 cm/6"



14-4148-18  
18 cm/7"



De Bakey  
14-4149-20  
20 cm/8"

Atrauma Cardiovascular Forceps ● EN  
 Atrauma cardiovascular-klemmen ● DE  
 Atrauma pinzas-clamps cardiovasculares ● ES



De Bakey

Aortic Aneurysm Clamps



**De Bakey**  
 14-4150-28  
 28 cm/11"

14-4151-30  
 30 cm/12"



De Bakey

Aortic Clamps



**Ochsner**  
14-4152-23  
23.5 cm/9¼"



**Dietrich**  
14-4153-21  
21 cm/8¼"



De Bakey



14-4154-01  
24 cm/9½"



14-4155-02  
24 cm/9½"

Auricle Clamp



Harken



14-4156-03  
24 cm/9½"

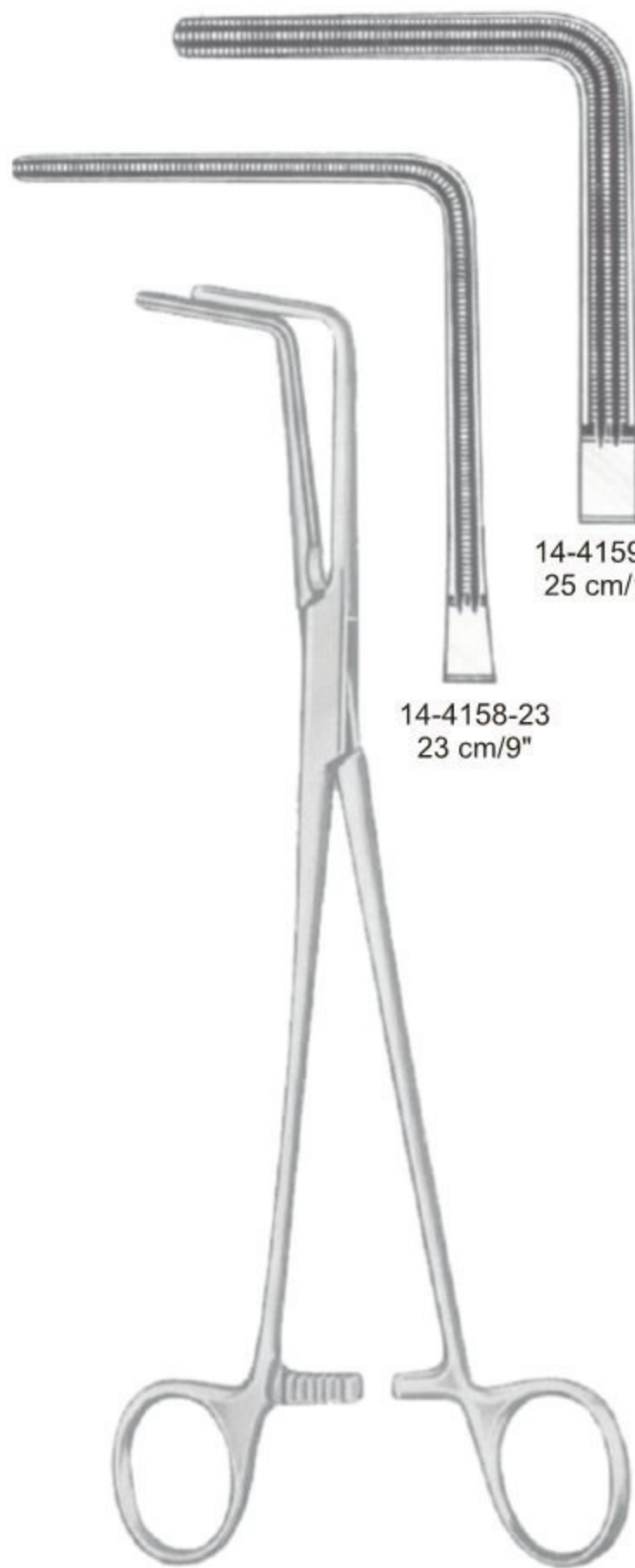


14-4157-04  
24 cm/9½"



De Bakey

Bronchus Clamps



Lees

14-4159-25  
 25 cm/10"

14-4158-23  
 23 cm/9"

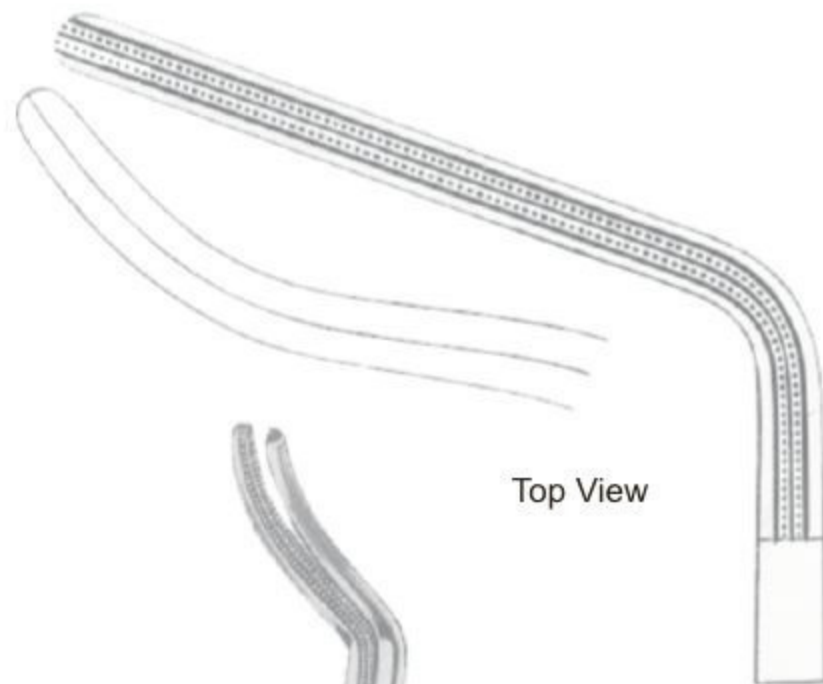


Lees  
 14-4160-25  
 25 cm/10"



De Bakey

Aortic Clamp



Top View



**De Bakey**  
 14-4161-27  
 27 cm/10½"



**De Bakey**  
 14-4162-24  
 24 cm/9½"

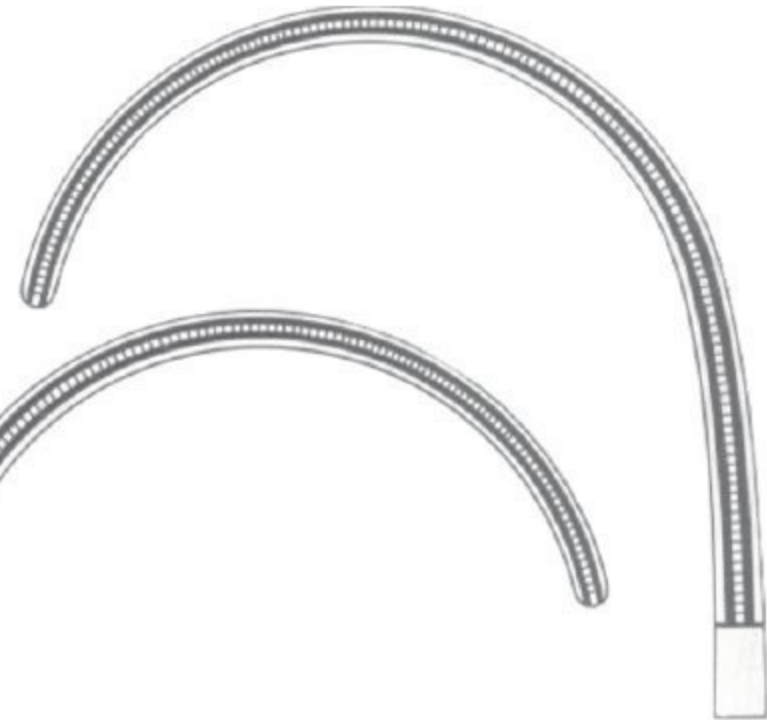
Ligature Clamps



**De Bakey**  
 14-4163-24  
 24 cm/9½"



De Bakey



14-4167-02

14-4166-01

Ligature clamp,  
 Aortic clamp



**De Bakey**  
 14-4165-26  
 26.5 cm/10½"

**De Bakey-Semb**  
 14-4164-25  
 25 cm/10"



Aortic clamp

**Weber**  
 26 cm/10¼"

**De Bakey-Semb**





Satinsky/De Bakey

Tangential occlusion clamps



De Bakey



Set of 5 purchase.  
14-4168-00

14-4168-20  
20 cm/8"

14-4168-25  
25 cm/10"

14-4168-26  
26 cm/10¼"

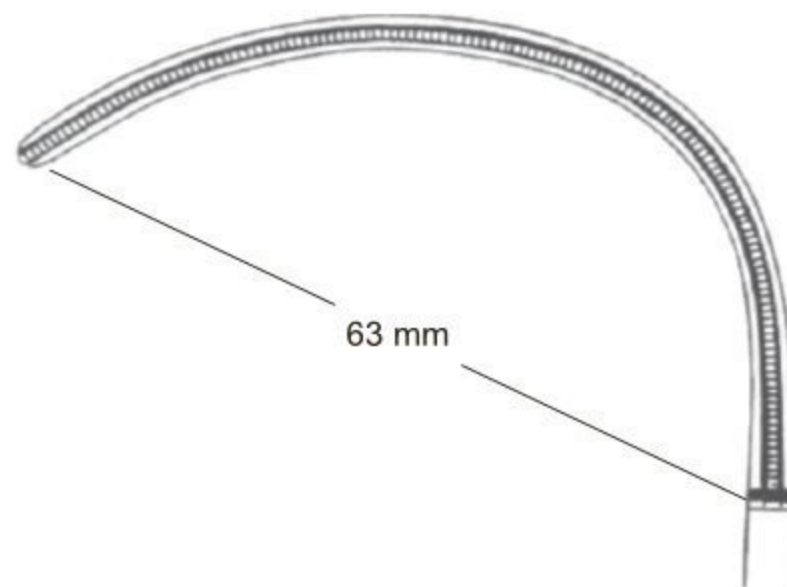
14-4168-27  
27 cm/10½"

14-4168-28  
28 cm/11"



Glover

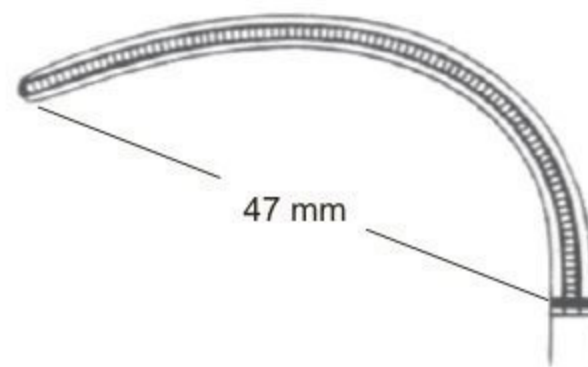
14-4169-01 19.5 cm/7¾"  
 14-4169-02 21.0 cm/8¼"



Anastomosis

63 mm

14-4169-01



47 mm

14-4169-02

- EN —● Atrauma Cardiovascular Forceps
- DE —● Atrauma cardiovascular-klemmen
- ES —● Atrauma pinzas-clamps cardiovasculares

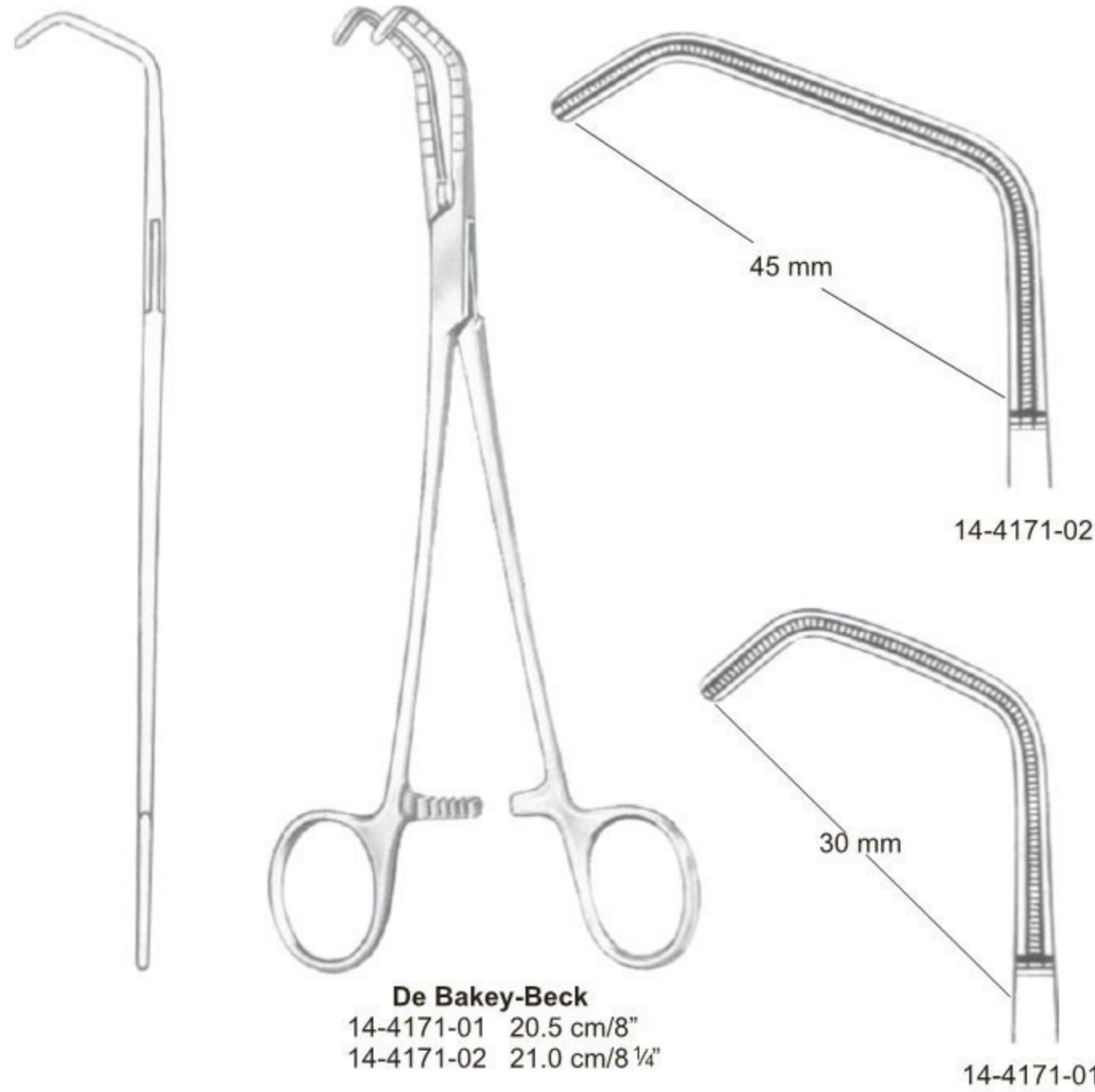


De Bakey



**De Bakey**  
 14-4170-16  
 16 cm/6 1/4"

Graduated



**De Bakey-Beck**  
 14-4171-01 20.5 cm/8"  
 14-4171-02 21.0 cm/8 1/4"



De Bakey



**Lambert-Kay**  
 21 cm/8¼"



14-4172-21

Aortic anastomosis clamps

14-4172-21



**De Bakey**  
 14-4173-17  
 17 cm/6¾"



**Beck**  
 14-4174-17  
 17 cm/6¾"

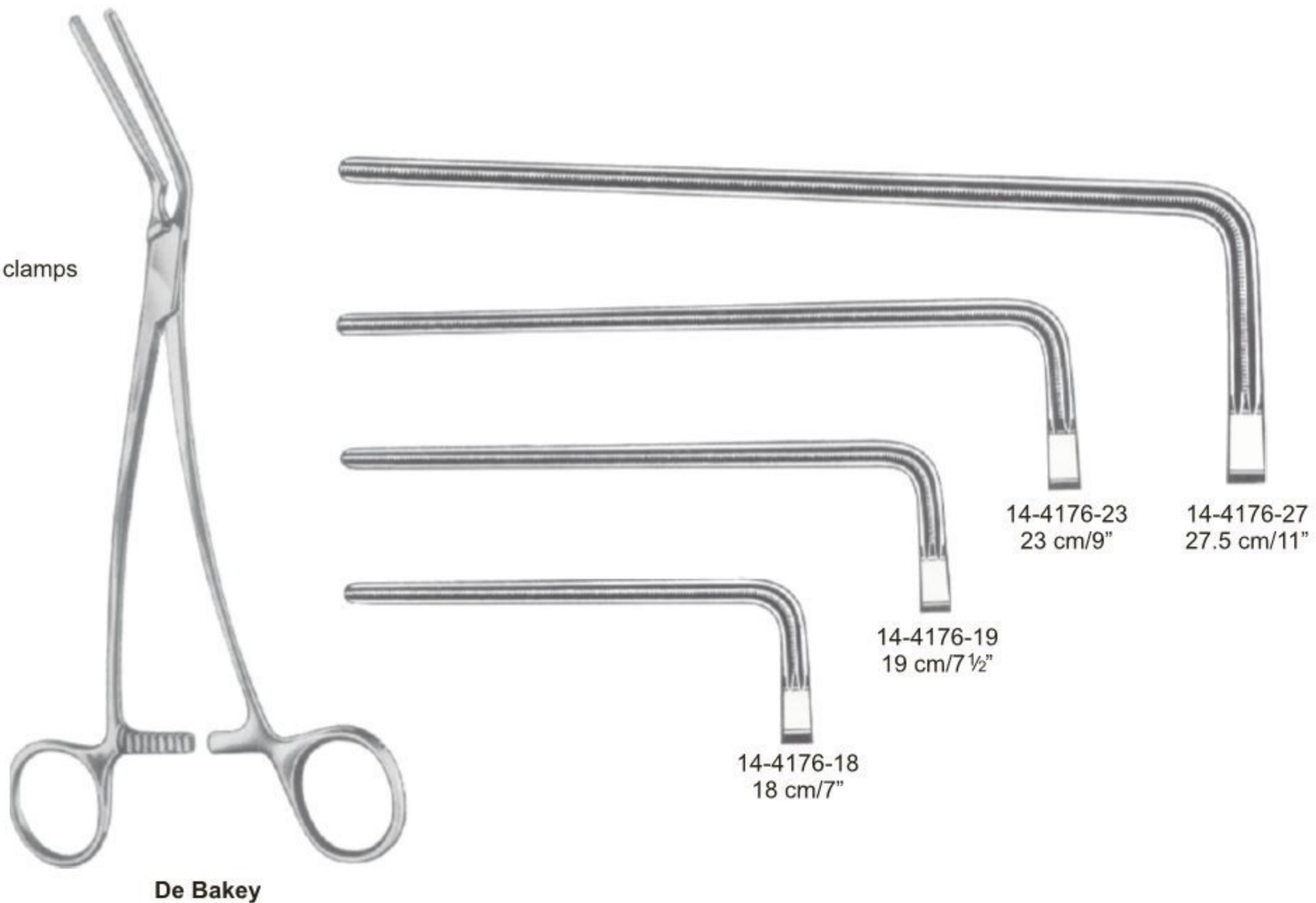
- EN —● Atrauma Cardiovascular Forceps
- DE —● Atrauma cardiovascular-klemmen
- ES —● Atrauma pinzas-clamps cardiovasculares



De Bakey



Multi purpose clamps



Atrauma Cardiovascular Forceps ● EN  
 Atrauma cardiovascular-klemmen ● DE  
 Atrauma pinzas-clamps cardiovasculares ● ES



Aortic anastomosis clamps

**Morris-De Bakey**



14-4177-18  
 18 cm/7"

14-4177-20  
 20 cm/8"

14-4177-23  
 23 cm/9"

14-4177-25  
 25 cm/10"

**Glover**  
 14-4178-24  
 24.5 cm/9¾"

- EN —● Atrauma Cardiovascular Forceps
- DE —● Atrauma cardiovascular-klemmen
- ES —● Atrauma pinzas-clamps cardiovasculares

Aorta aneurysm clamps



De Bakey-Bahnson



De Bakey



14-4179-24  
24.5 cm/9¾"



14-4179-25  
25.5 cm/10"



14-4179-26  
26.5 cm/10½"

Coarctation clamps



Straight	cm/in	Curved
14-4180-21	21.5 cm/8½"	14-4181-21
14-4180-23	23.0 cm/9"	14-4181-23
14-4180-27	27.0 cm/10½"	14-4181-27
14-4180-31	31.5 cm/12½"	14-4181-31

Multi purpose clamps



De Bakey



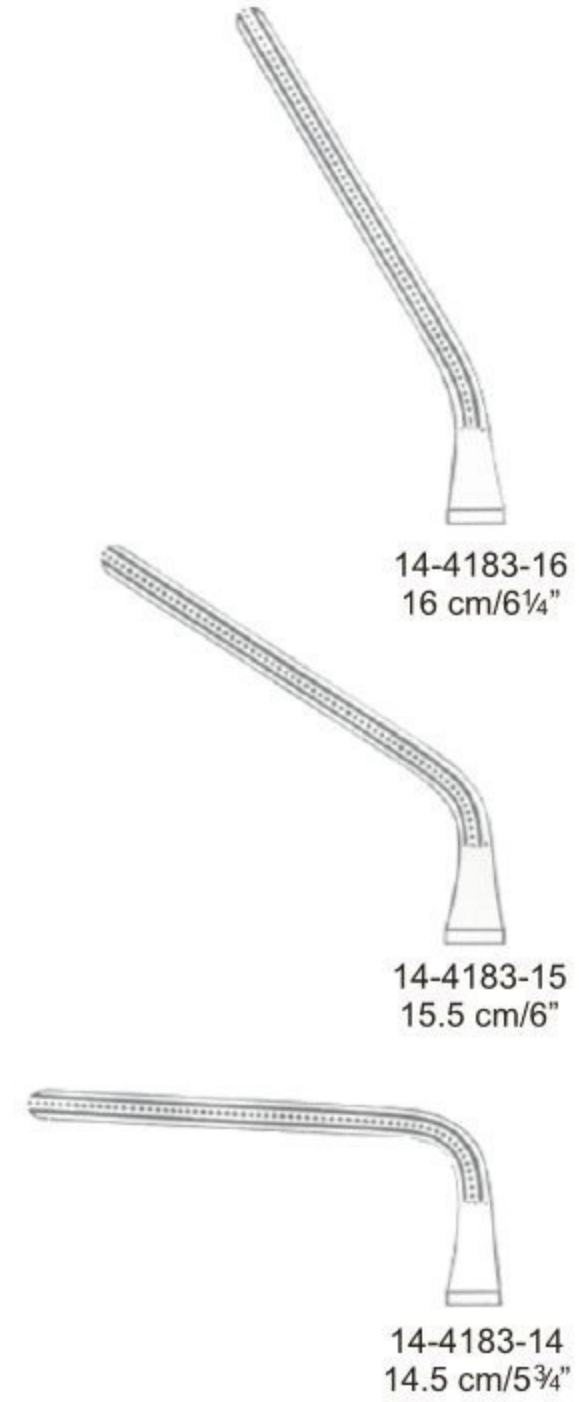
**De Bakey-Rankin**



14-4182-16 16 cm/6¼"  
 14-4182-16 16 cm/6¼"



**Cooley**



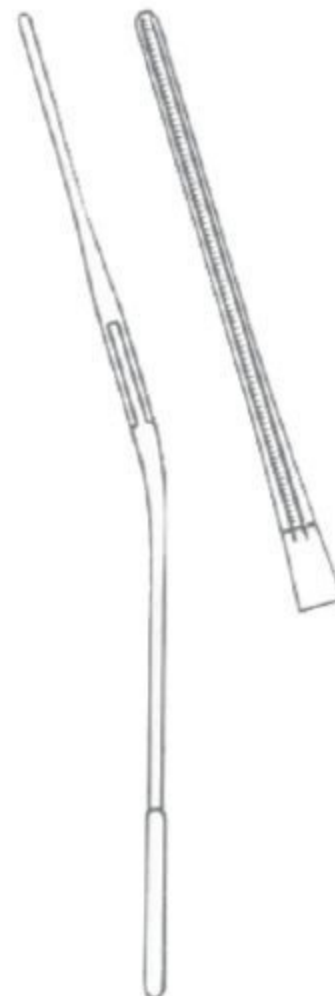
14-4183-16  
 16 cm/6¼"

14-4183-15  
 15.5 cm/6"

14-4183-14  
 14.5 cm/5¾"



**De Bakey**  
 14-4184-17  
 17 cm/6¾"



14-4185-17



14-4186-17

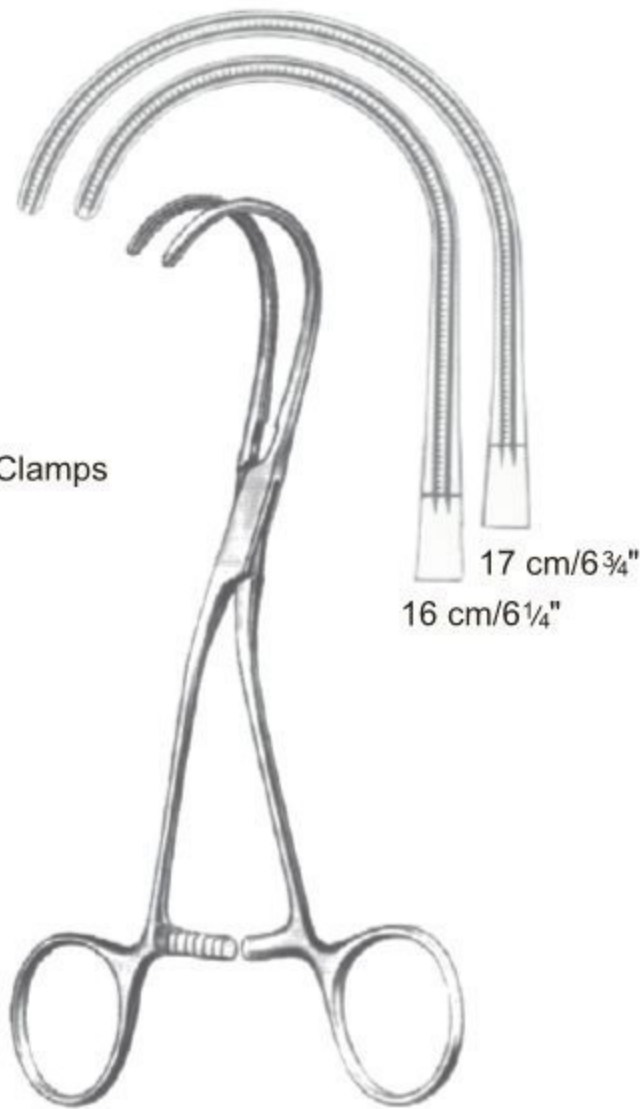


14-4187-17



De Bakey

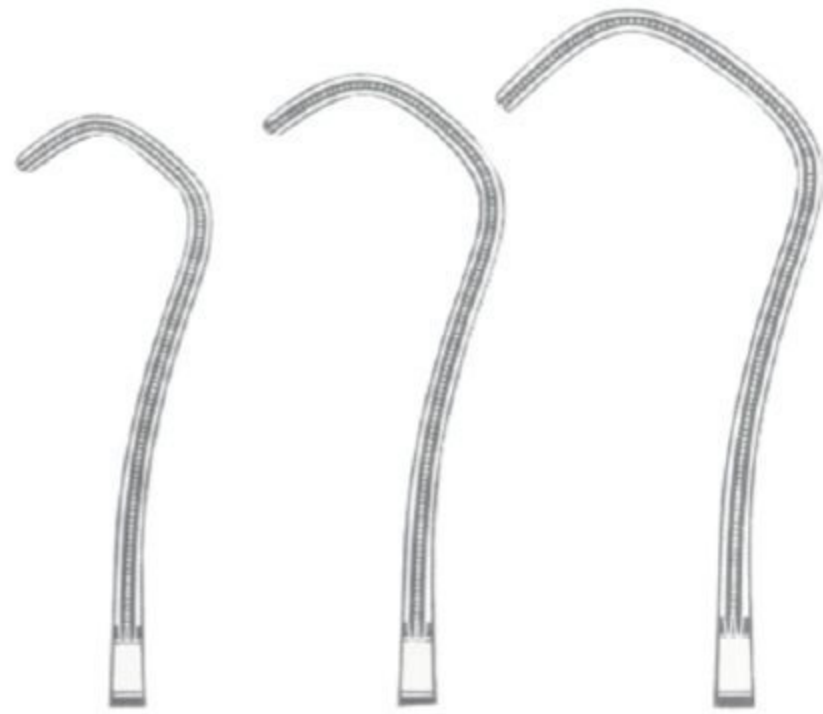
Ligature Clamps



14-4188-16 16cm/6¼"  
 14-4188-17 17cm/6¾"



Derra-De Bakey  
 17 cm/6¾"



14-4189-01      14-4189-02      14-4189-03

Anastomosis Clamps

Profunda Clamps



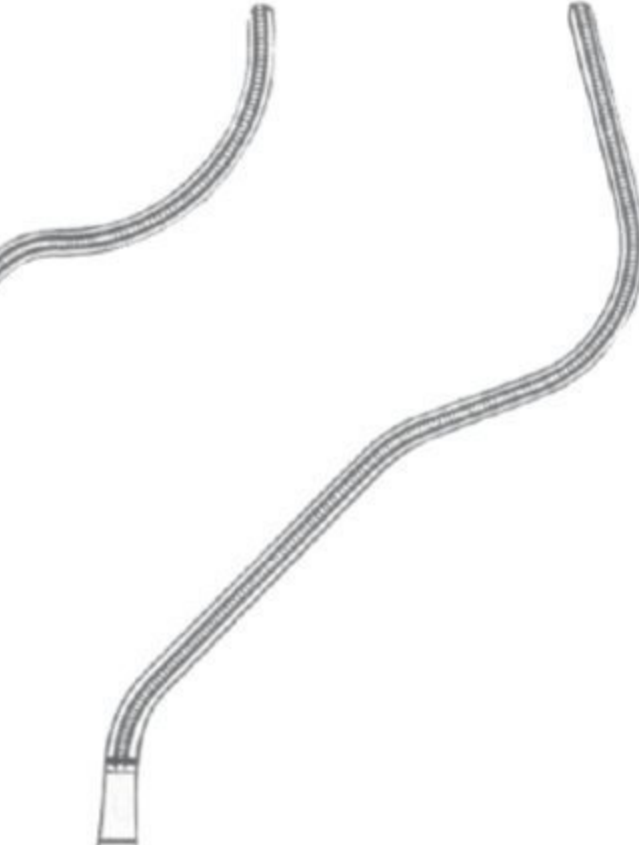
Gregory



14-4190-14  
 14 cm/5½"



14-4190-16  
 16 cm/6¼"



14-4190-18  
 18 cm/7"





Cooley

Coarctation Clamps



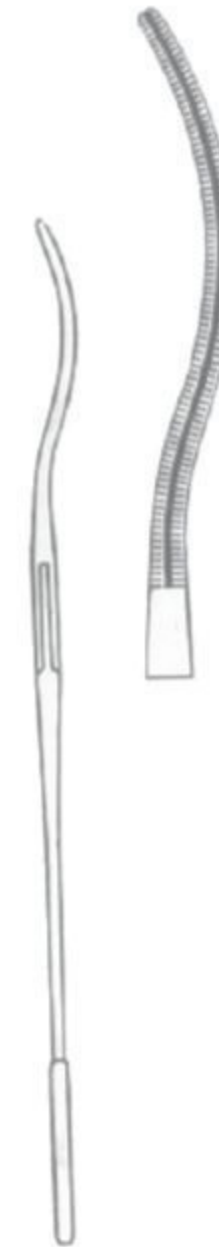
**Cooley**  
 14-4191-17  
 17 cm/6¾"



14-4192-17  
 17 cm/6¾"



14-4193-17  
 17 cm/6¾"



14-4194-17  
 17 cm/6¾"



**Cooley**  
 14-4195-20  
 20 cm/8"



**Cooley**



**Cooley**



14-4196-03  
 17 cm/6 3/4"

14-4197-02  
 15.5 cm/6"



14-4198-01  
 15 cm/6"



**Cooley**  
 14-4199-17  
 17 cm/6 3/4 "

Anastomosis clamps



Cooley



Cooley

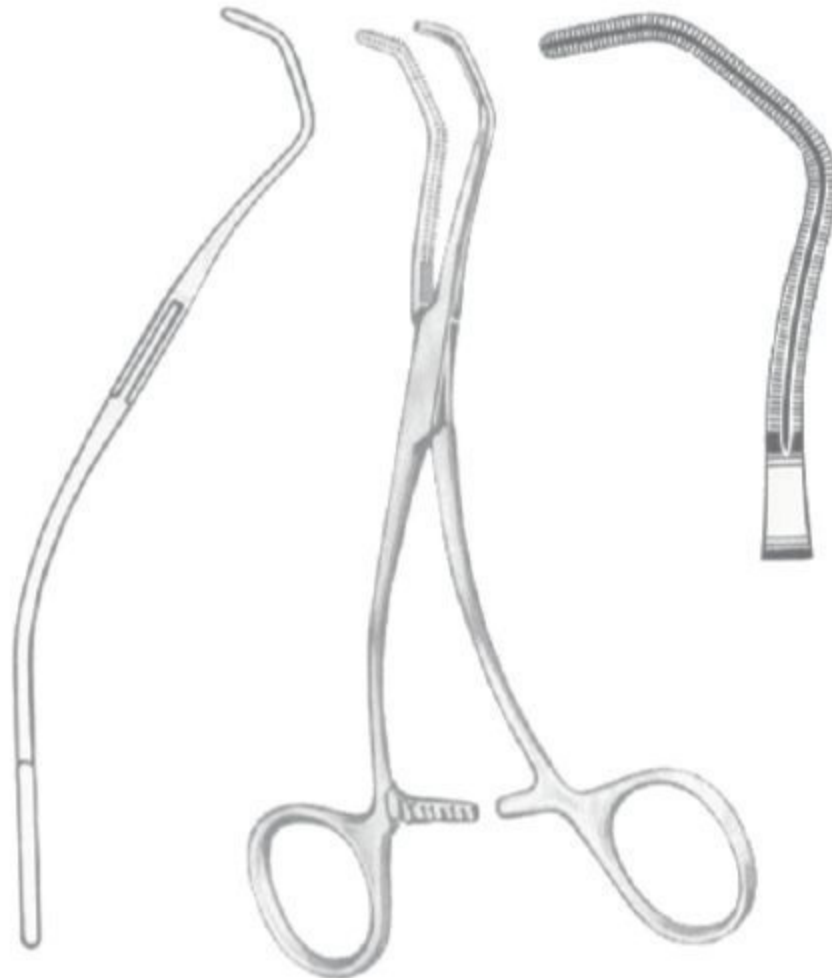


14-4200-01  
16.5 cm/6½"

14-4200-02  
16.5 cm/6½"

14-4200-03  
17.5 cm/7"

29-0980714-4200  
17.5 cm/7"



Cooley  
14-4201-16  
16 cm/6¼"



Beck  
14-4202-17  
17 cm/6¾"



Cooley



Cooley-Derra



14-4203-16  
 16 cm/6 1/4"



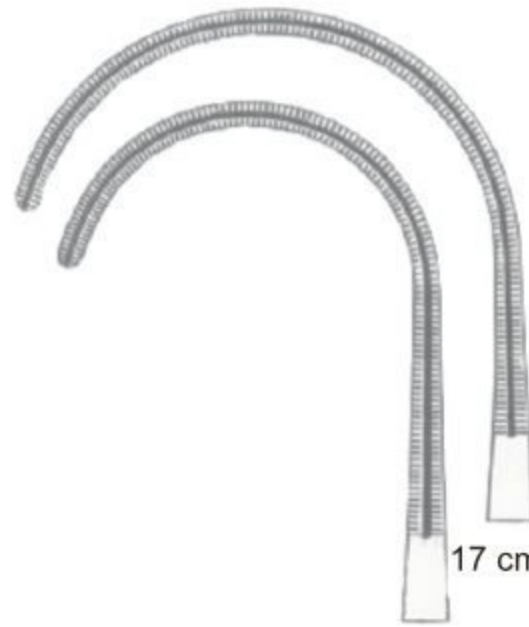
14-4203-17  
 17 cm/6 3/4"



14-4203-18  
 18 cm/7"



**Cooley**  
 14-4204-16 16 cm/6 1/4"  
 14-4204-17 17 cm/6 3/4"



17 cm/6 3/4"  
 16 cm/6 1/4"

Ligature clamps



Cooley



**Cooley**  
 14 cm/5½"



**Cooley**  
 14-4207-14  
 14 cm/5½"



**Cooley**  
 14-4208-14  
 14 cm/5½"



**Cooley**  
 14-4209-14  
 14 cm/5½"



**Cooley**  
 14-4210-01  
 25 cm/10"



**Cooley**  
 14-4211-02  
 33 cm/13"



**Cooley**  
 14-4212-03  
 30 cm/12"



**Cooley**  
 14-4213-04  
 30 cm/12"



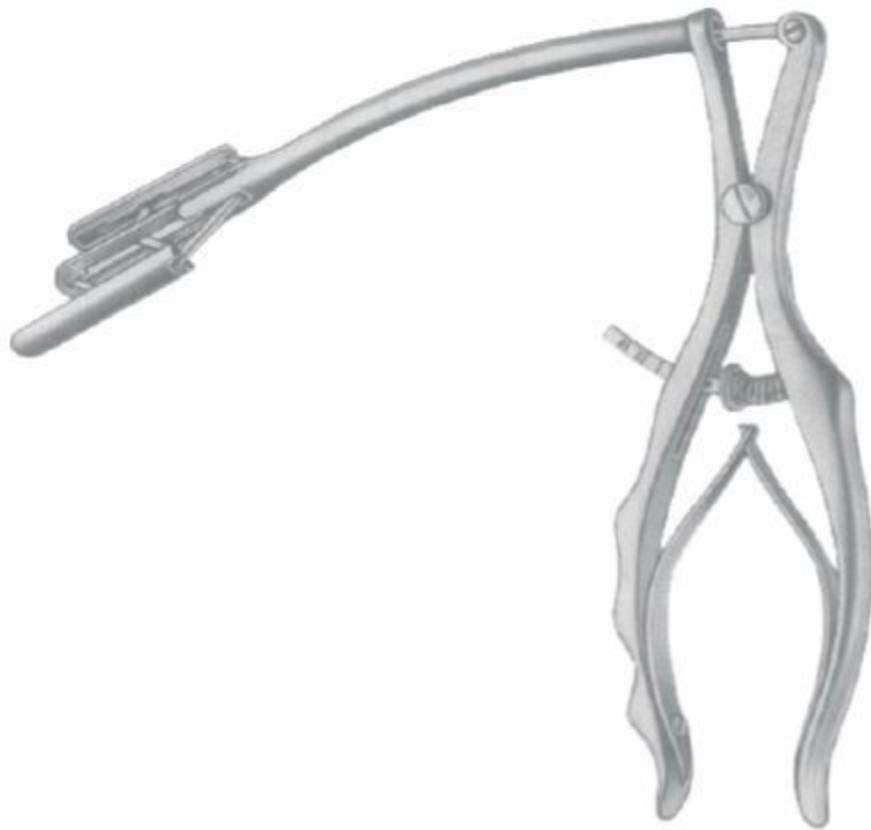
**Cooley**  
 14-4214-05  
 35 cm/13¾"

Tourniquets



**Rumel-Belmont**  
 14-4215-32 3.2 mm Ø  
 14-4215-64 6.4 mm Ø

Dilators ● EN  
Dilatatoren ● DE  
Dilatadores ● ES



**Cooley**  
14-4216-00



**Gerbode**  
14-4217-00



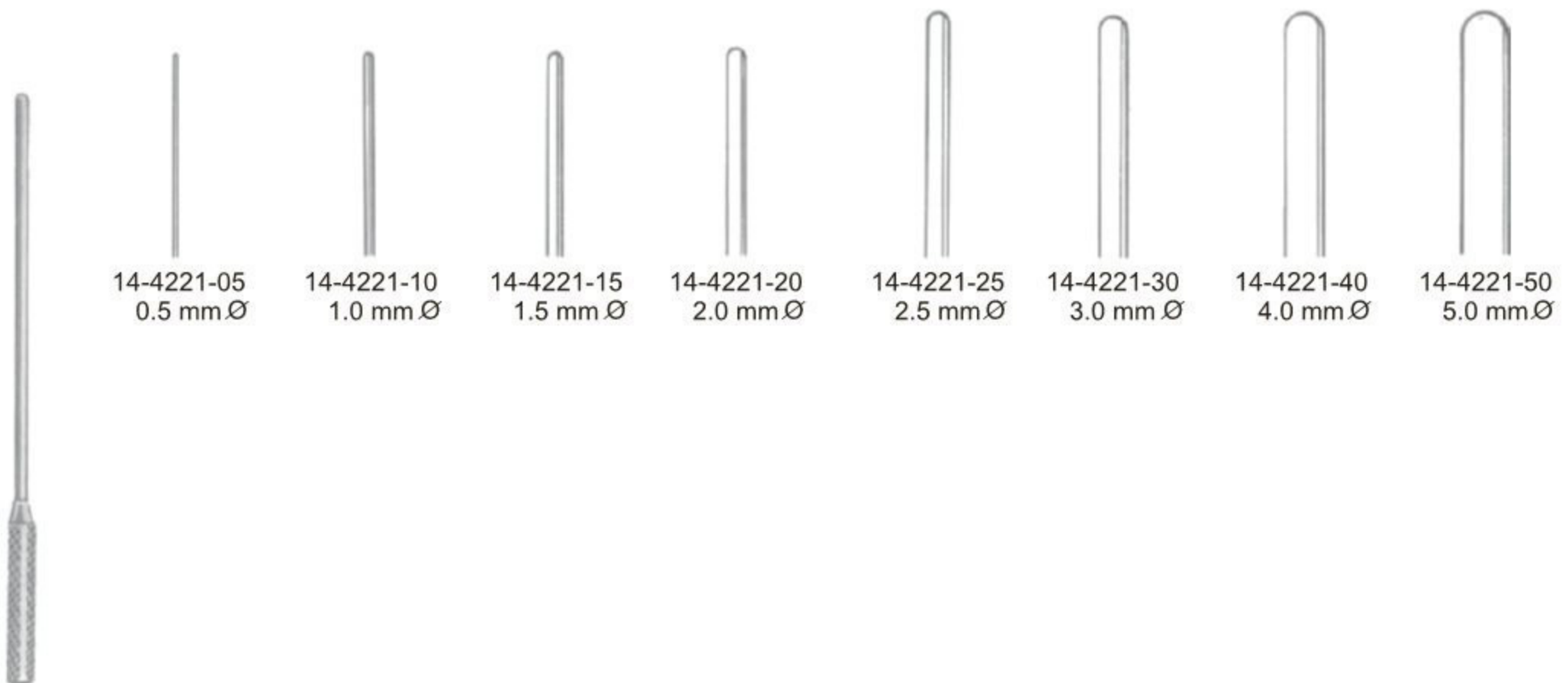
**Tubbs**  
14-4218-00



**De Bakey**

mm Ø	19 cm/7 1/2"	35 cm/14"
0.5	14-4219-05	14-4220-05
1.0	14-4219-10	14-4220-10
1.5	14-4219-15	14-4220-15
2.0	14-4219-20	14-4220-20
2.5	14-4219-25	14-4220-25
3.0	14-4219-30	14-4220-30
3.5	14-4219-35	14-4220-35
4.0	14-4219-40	14-4220-40
4.5	14-4219-45	14-4220-45
5.0	14-4219-50	14-4220-50
7.0	14-4219-70	14-4220-70
9.0	14-4219-90	14-4220-90

Malleable



**Cooley**  
 13 cm/5"



Rib Shears, Sternum Scissors and Sternum Chisels ● EN

Rippenscheren, Sternumschere, Sternummeißel ● DE

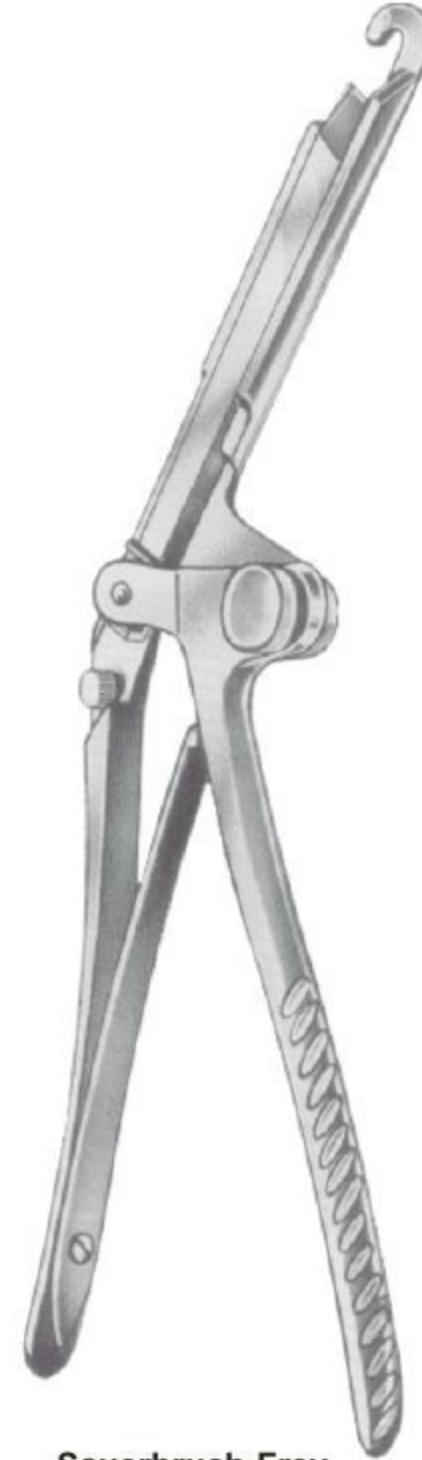
Costótomos, Tijera de esternón, cincel de esternón ● ES



**Sauerbruch**  
 14-4222-24 24 cm/9½"  
 14-4222-26 26 cm/10¼"



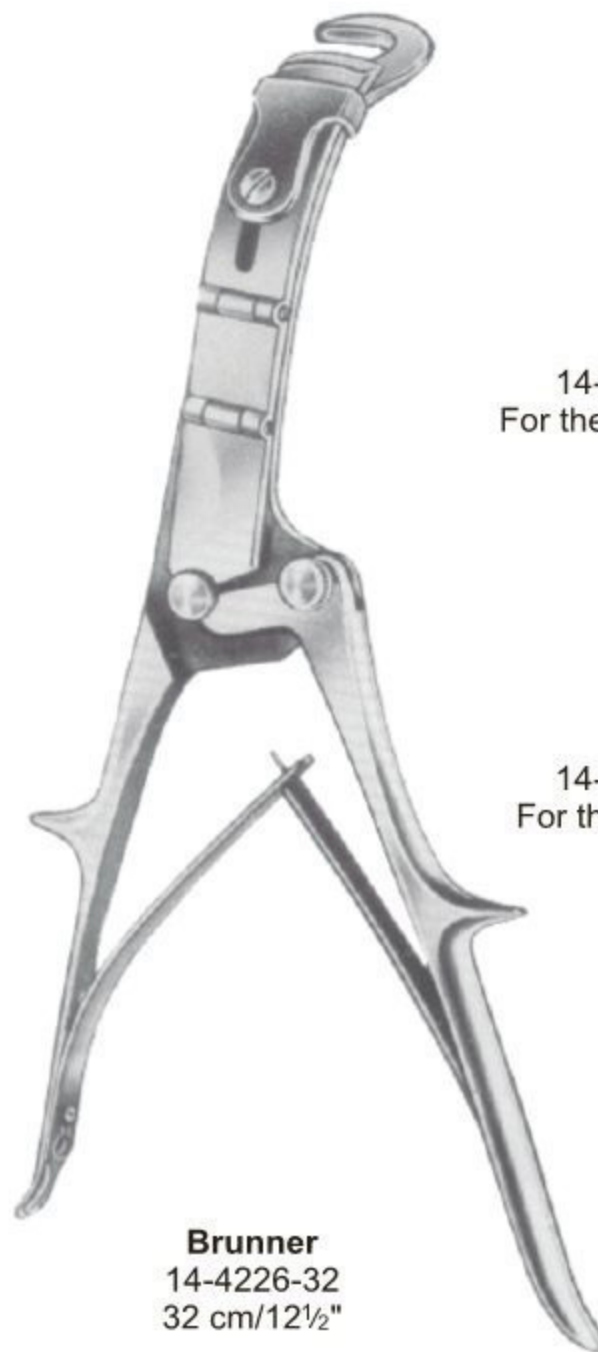
**Giertz-Stille**  
 14-4223-27  
 27 cm/10½"



**Sauerbruch-Frey**  
 14-4224-36  
 36 cm/14"



**Bethune**  
 14-4225-34  
 34 cm/13½"



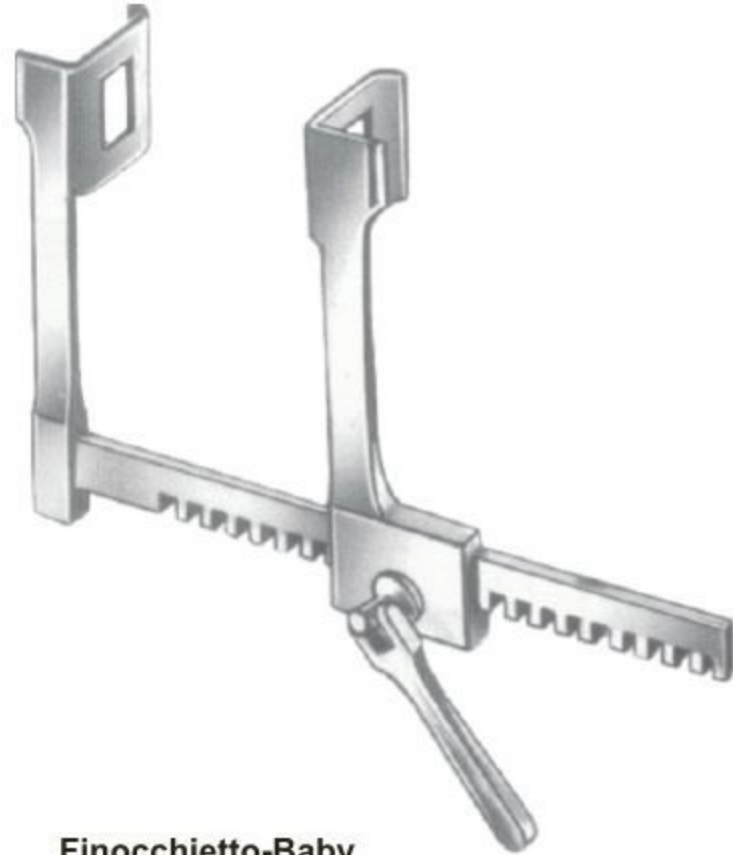
**Brunner**  
 14-4226-32  
 32 cm/12½"

14-4226-32  
 For the Right Hand

14-4227-32  
 For the left Hand



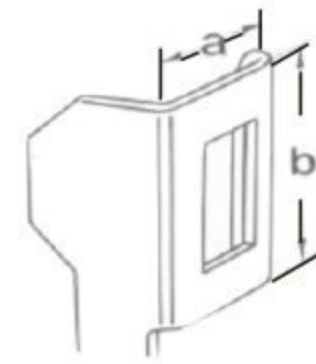
**Lebsche**  
 14-4228-24  
 24.5 cm/9¾"



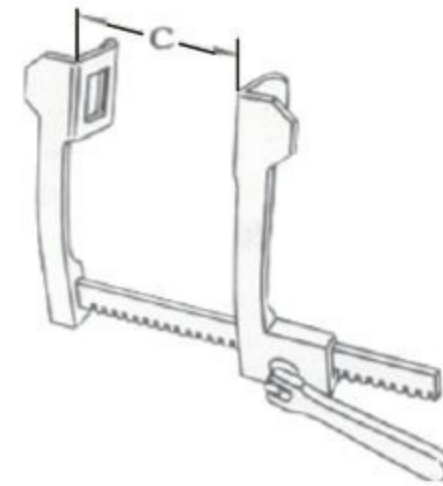
**Finocchietto-Baby**

	a	b	c
14-4229-00	18 mm	21 mm	105 mm

Scheme of Dimensions



Size of Blades



Total Spread

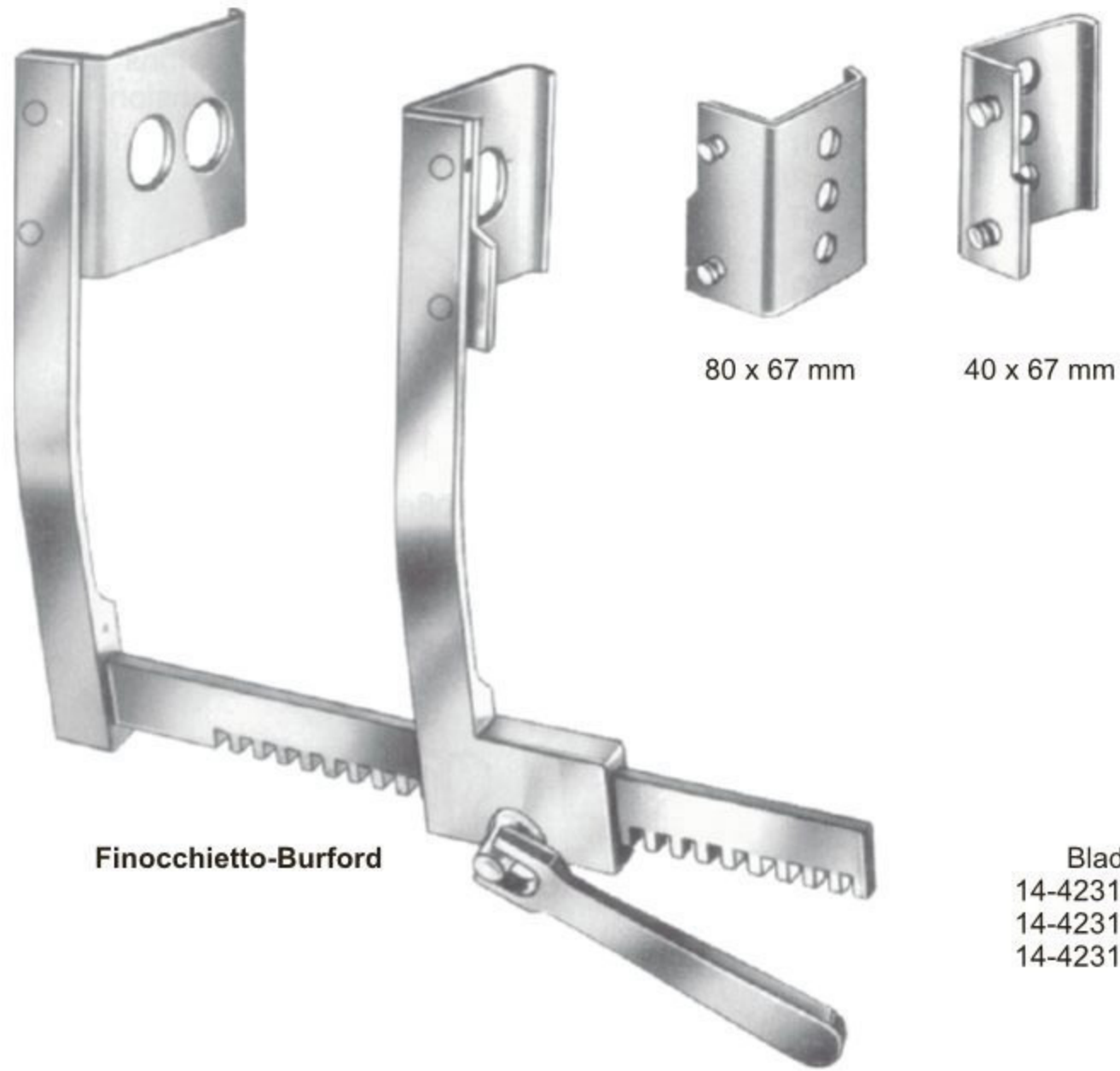


**Finocchietto**

	a	b	c
14-4230-01	36 mm	45 mm	165 mm
14-4230-02	44 mm	65 mm	200 mm
14-4230-03	44 mm	65 mm	250 mm
14-4230-04	44 mm	65 mm	300 mm
14-4230-05	65 mm	65 mm	200 mm
14-4230-06	65 mm	65 mm	250 mm
14-4230-07	65 mm	65 mm	300 mm

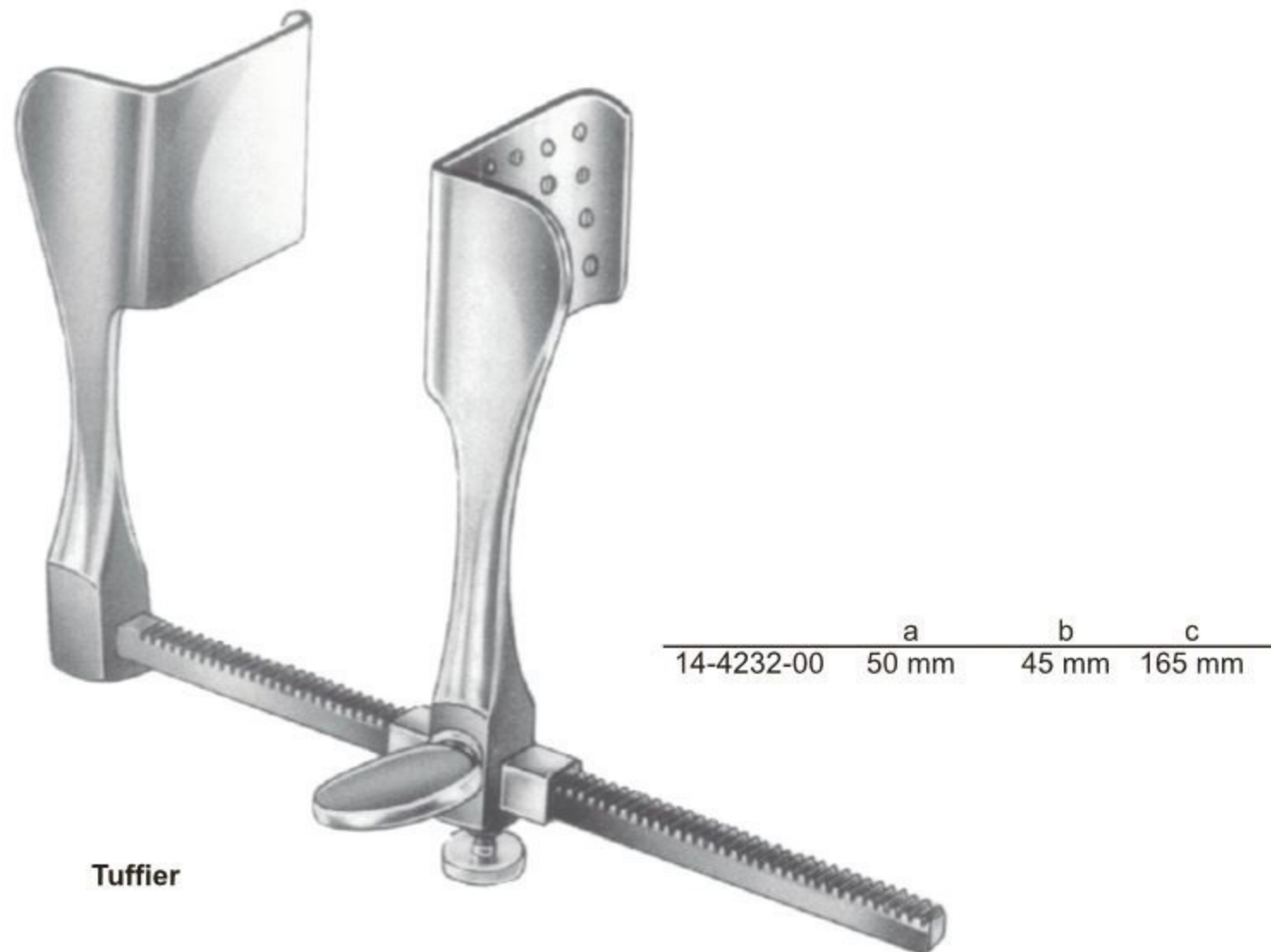
- Rib Spreaders ● EN
- Rippensperrer ● DE
- Separadores costales ● ES

With 2 Pairs of Interchangeable Blades



**Finocchietto-Burford**

Blade Opening  
 14-4231-01 200 mm/8"  
 14-4231-02 250 mm/10"  
 14-4231-03 305 mm/12"

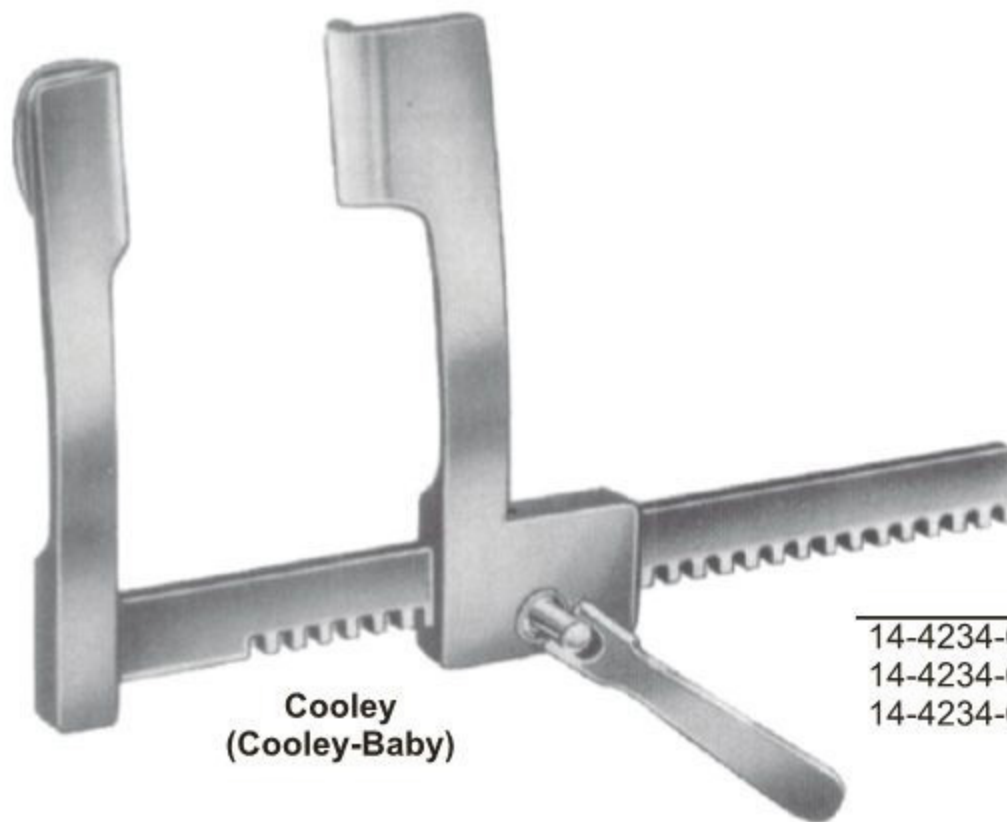


**Tuffier**



**Haight**

	a	b	c
14-4233-00	30 mm	30 mm	115 mm



**Cooley  
 (Cooley-Baby)**

	a	b	c
14-4234-01	15 mm	30 mm	75 mm
14-4234-02	21 mm	45 mm	145 mm
14-4234-03	32 mm	50 mm	190 mm

Rib Spreaders ● EN  
 Rippensperrer ● DE  
 Separadores costales ● ES



**De Bakey**  
 14-4235-00  
 With 3 Pairs of Blades  
 14-4235-01  
 14-4235-02  
 14-4235-03

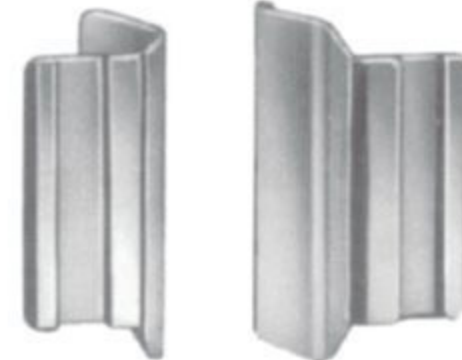
Spreader only



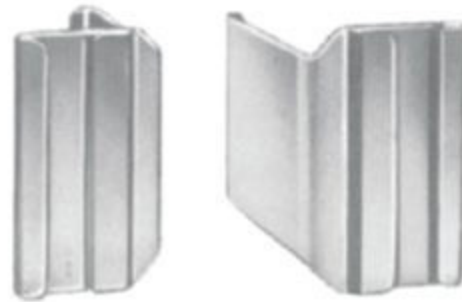
14-4235-01  
 60 x 60 mm



14-4235-02  
 50 x 80 mm



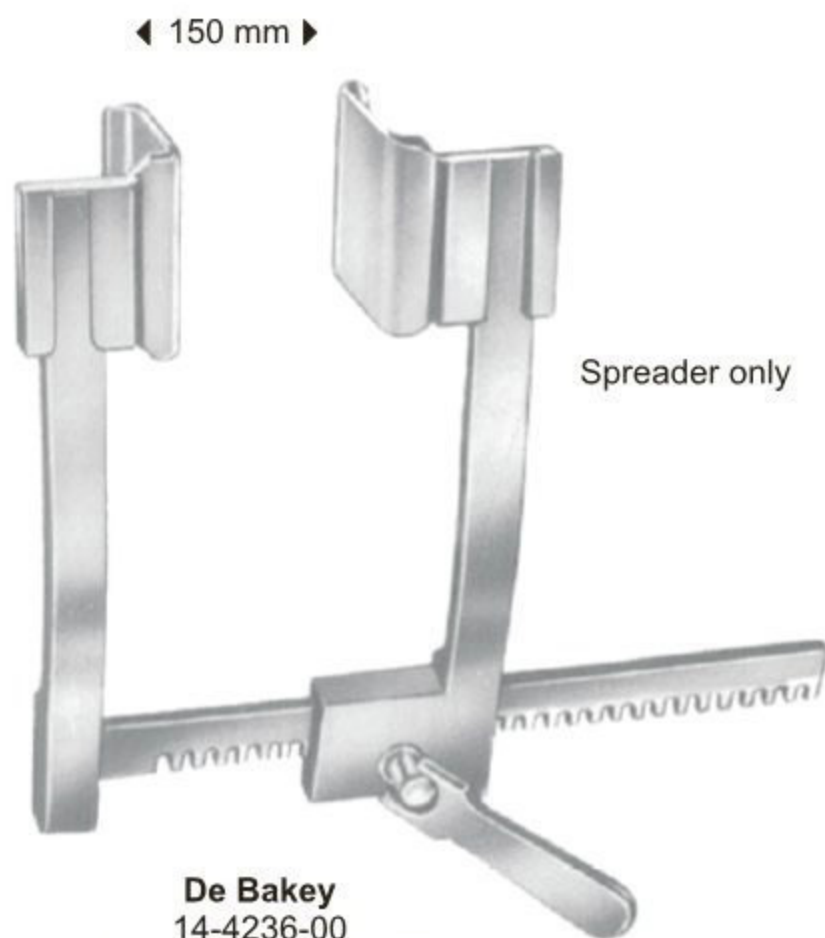
14-4235-03  
 40 x 100 mm



14-4235-04  
 80 x 60 mm



14-4235-05  
 50 x 66 mm



**De Bakey**  
 14-4236-00  
 With 3 Pairs of Blades

Spreader only



14-4236-01  
 30 x 30 mm



14-4236-02  
 40 x 40 mm



14-4236-03  
 50 x 50 mm

◀ Fig. 1 15 cm/6" ▶  
 ▶ Fig. 2 20 cm/8" ▶



**Morse-Favaloro**  
 Fig. 1 14-4237-01  
 Fig. 2 14-4237-02

75 x 75 mm

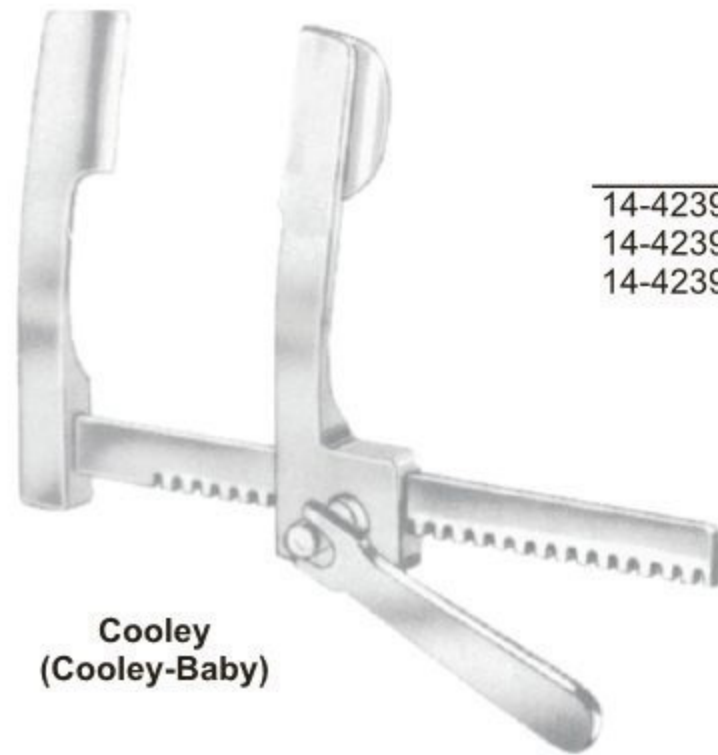
42 x 65 mm

Thoracic Retractor



**(Mercedes-Retractor)**  
 14-4238-00  
 Complete

Rib Spreaders ● EN  
 Rippensperrer ● DE  
 Separadores costales ● ES



**Cooley  
 (Cooley-Baby)**

	a	b	c
14-4239-01	12 mm	17 mm	75 mm
14-4239-02	16 mm	30 mm	105 mm
14-4239-03	37 mm	49 mm	200 mm



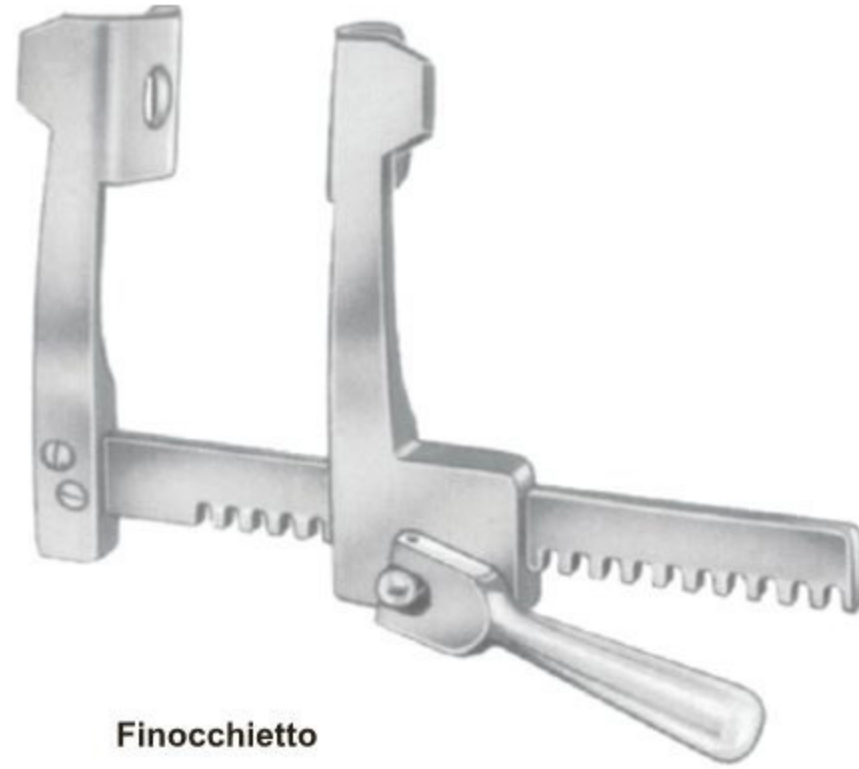
**Castaneda**

	a	b	c
14-4240-01	10.5 mm	32 mm	65 mm
14-4240-02	12 mm	45 mm	70 mm
14-4240-03	15 mm	60 mm	120 mm



**Finocchietto-Baby-Haight**

	a	b	c
14-4241-01	15 mm	15 mm	75 mm
14-4241-02	31 mm	31 mm	100 mm
14-4241-03			



**Finocchetto**

	a	b	c
14-4242-01	38 mm	44 mm	135 mm
14-4242-02	52 mm	62 mm	135 mm
14-4242-03	85 mm	65 mm	135 mm



**Burford**  
 With 2 Pairs of Blades

For Child	a	b	c
	48 mm	42 mm	135 mm
14-4243-00	34 mm	42 mm	135 mm
14-4243-01	65 mm	62 mm	180 mm
	47 mm	62 mm	
14-4243-02	65 mm	62 mm	260 mm
	47 mm	62 mm	
14-4243-03	65 mm	62 mm	300 mm
	47 mm	62 mm	



Rib Contractors, Lung Spatulas ●— EN  
 Rippenkontraktoren, Lungenspatel ●— DE  
 Aproximadores para costillas, Espátula pulmonar ●— ES



**Lemmon**  
 14-4244-18  
 18 cm/7"



**Sellors**  
 14-4245-19  
 19 cm/7½"



**Bailey-Baby**  
 14-4246-14  
 14 cm/5½"



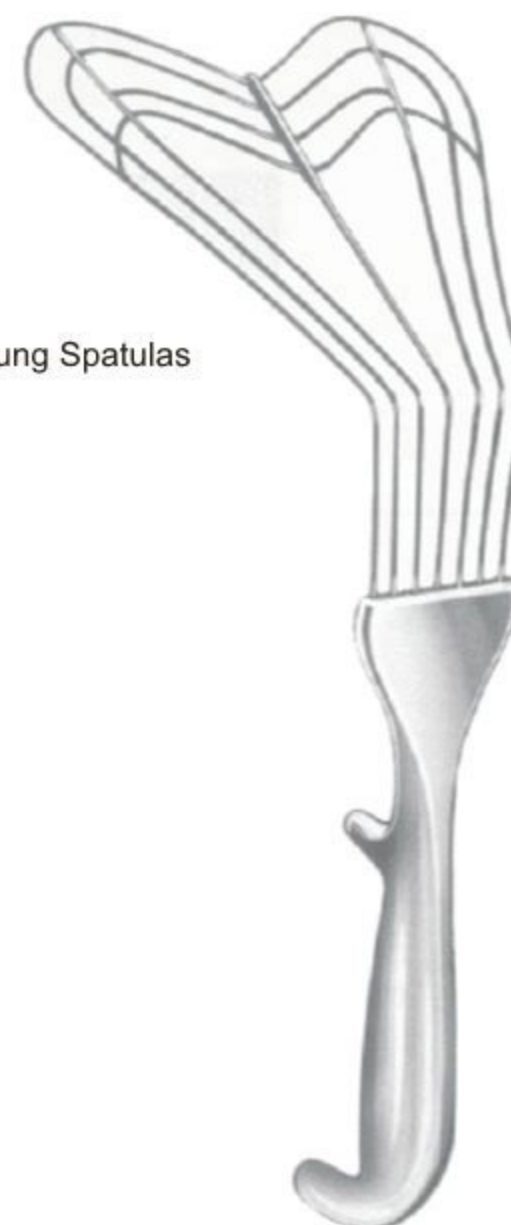
**Bailey**  
 14-4247-16  
 16 cm/6¼"



**Bailey-Gibbon**  
 14-4248-16  
 16 cm/6¼"



**Allison**  
 14-4249-25 25.5 cm/10"  
 14-4249-30 30.0 cm/12"



Lung Spatulas

14-4250-30  
 30 cm/12"