

EN Anaesthesia

DE Narkose

ES Anestesia

Page 28 to 36





Miller
 04-1301-30
 04-1301-40

04-1301-30
 Laryngoscope Set
 Consisting of:
 04-1301-00 Battery Handle (without batteries)
 04-1301-11 McIntosh blade, Fig 1
 04-1301-12 ditto, Fig 2
 04-1301-13 ditto, Fig 3

04-1301-40
 Laryngoscope Set
 Consisting of:
 04-1301-00 Battery Handle (without batteries)
 04-1301-11 McIntosh blade, Fig 1
 04-1301-12 McIntosh blade, Fig 2
 04-1301-13 McIntosh blade, Fig 3
 04-1301-14 McIntosh blade, Fig 4

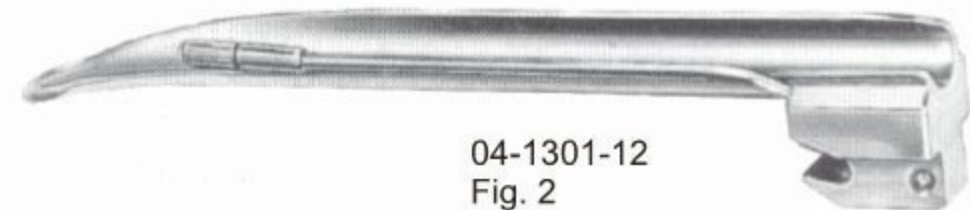
McIntosh Laryngoscope Blades
 04-1301-10 Fig 0, Working length 55mm, baby's
 04-1301-11 Fig 1, Working length 75mm, children's
 04-1301-12 Fig 2, Working length 90mm, adolescent's
 04-1301-13 Fig 3, Working length 110mm, women's
 04-1301-14 Fig 4, Working length 135mm, men's



04-1301-10
 Fig. 0
 55 mm



04-1301-11
 Fig. 1



04-1301-12
 Fig. 2



04-1301-13
 Fig. 3



04-1301-14
 Fig. 4

Laryngoscopes ● EN
 Laryngoskope ● DE
 Laringoscopios ● ES



McIntosh
 04-1302-30
 04-1302-40



04-1302-30
 Laryngoscope Set
 Consisting of:
 04-1302-00 Battery Handle (without batteries)
 04-1302-11 McIntosh blade, Fig 1
 04-1302-12 ditto, Fig 2
 04-1302-13 ditto, Fig 3

04-1302-40
 Laryngoscope Set
 Consisting of:
 04-1302-00 Battery Handle (without batteries)
 04-1302-11 McIntosh blade, Fig 1
 04-1302-12 McIntosh blade, Fig 2
 04-1302-13 McIntosh blade, Fig 3
 04-1302-14 McIntosh blade, Fig 4

McIntosh Laryngoscope Blades
 04-1302-10 Fig 0, Working length 55mm, baby's
 04-1302-11 Fig 1, Working length 75mm, children's
 04-1302-12 Fig 2, Working length 90mm, adolescent's
 04-1302-13 Fig 3, Working length 110mm, women's
 04-1302-14 Fig 4, Working length 135mm, men's



Foregger
 04-1303-30
 04-1303-40

04-1303-30
 Laryngoscope Set
 Consisting of:
 04-1303-00 Battery Handle (without batteries)
 04-1303-12 Foregger Blade, Fig 2
 04-1303-13 ditto, Fig 3
 04-1303-14 ditto, Fig 4

04-1303-40
 Laryngoscope Set
 Consisting of:
 04-1303-00 Battery Handle (Without batteries)
 04-1303-11 Foregger Blade, Fig 1
 04-1303-12 Foregger Blade, Fig 2
 04-1303-13 Foregger Blade, Fig 3
 04-1303-14 Foregger Blade, Fig 4



04-1303-11



04-1303-12



04-1303-13



04-1303-14

Foregger Laryngoscope Blade,
 04-1303-11 Fig 1, working length 70mm, children's
 04-1303-12 Fig 2, working length 90mm, adolescent's
 04-1303-13 Fig 3, working length 110mm, women's
 04-1303-14 Fig 4, working length 135mm, men's

Laryngoscopes ●— EN
 Laryngoskope ●— DE
 Laringoscopios ●— ES



04-1304-30
 Laryngoscope Set
 Consisting of:
 04-1304-00 Battery Handle (without batteries)
 04-1304-12 Guedel-Negus Blade, Fig 2
 04-1304-13 ditto, Fig 3
 04-1304-14 ditto, Fig 4

Guedel-Negus
 04-1304-30
 04-1304-40

04-1304-40
 Laryngoscope Set
 Consisting of:
 04-1304-00 Battery Handle (without batteries)
 04-1304-11 Guedel-Negus Blade, Fig 1
 04-1304-12 Guedel-Negus Blade, Fig 2
 04-1304-13 Guedel-Negus Blade, Fig 3
 04-1304-14 Guedel-Negus Blade, Fig 4



Guedel Laryngoscope Blades
 04-1304-11 Fig 1, working length 70mm, children's
 04-1304-12 Fig 2, working length 90mm, adolescent's
 04-1304-13 Fig 3, working length 110mm, women's
 04-1304-14 Fig 4, working length 135mm, men's

COLD LIGHT LARYNGOSCOPES

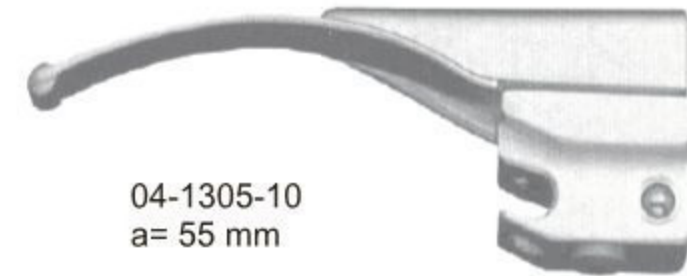
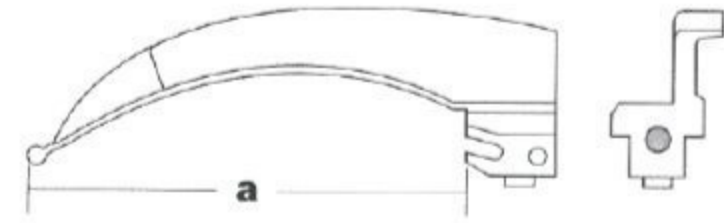


04-1305-00
 handle with lamp

McINTOSH
 with fiberoptic



04-1305-50
 set with 5 blades



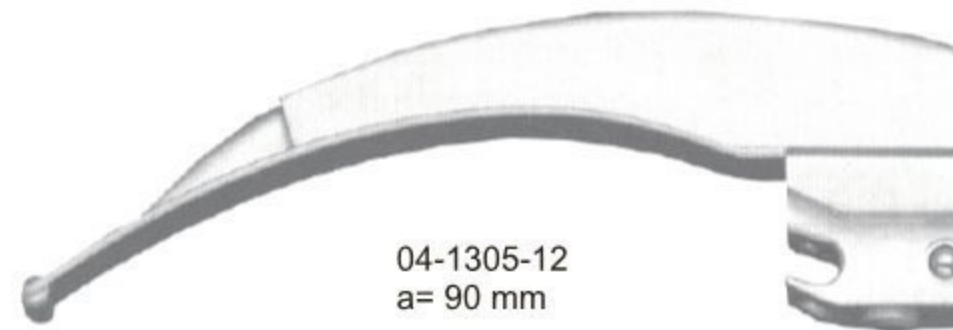
04-1305-10
 a= 55 mm

Fig. 0



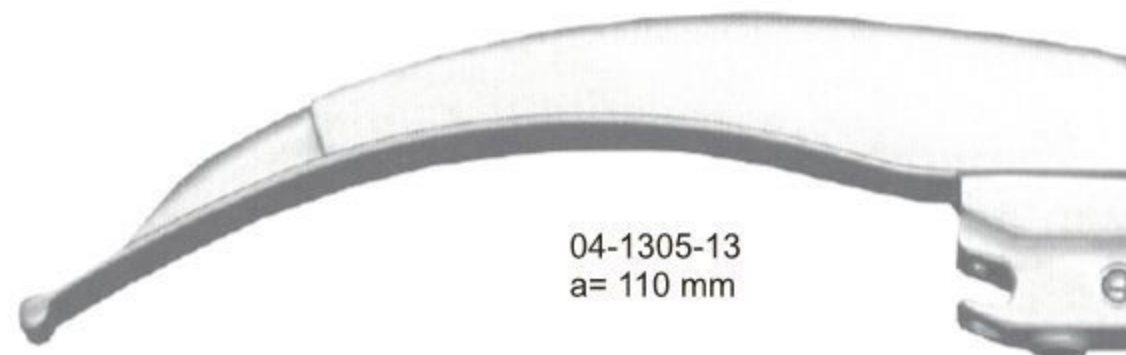
04-1305-11
 a= 70 mm

Fig. 1



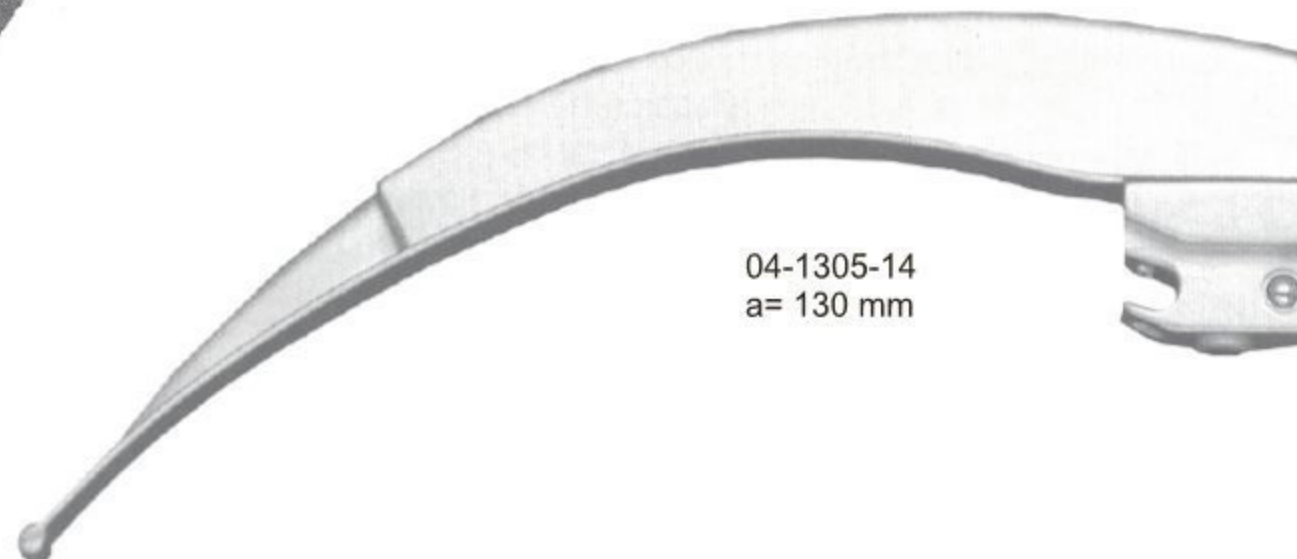
04-1305-12
 a= 90 mm

Fig. 2



04-1305-13
 a= 110 mm

Fig. 3



04-1305-14
 a= 130 mm

Fig. 4

- Laryngoscopes ● — EN
- Laryngoskope ● — DE
- Laringoscopios ● — ES

COLD LIGHT LARYNGOSCOPES



04-1306-50
set with 5 blades



04-1306-00
handle with lamp



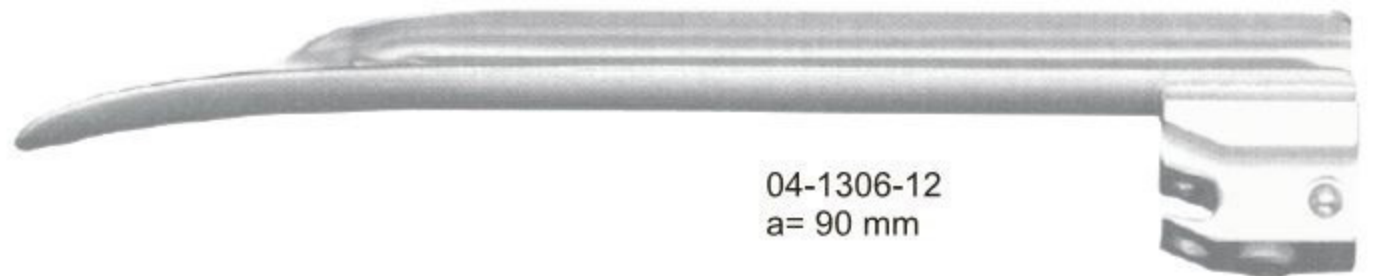
04-1306-10
a= 55 mm

Fig. 0



04-1306-11
a= 70 mm

Fig. 1



04-1306-12
a= 90 mm

Fig.2



04-1306-13
a= 110 mm

Fig. 3



04-1306-14
a= 130 mm

Fig.4



Working length 55 mm
 04-1307-10

Working length 80 mm
 04-1307-11

Miller-Baby
 04-1307-20

04-1307-20
 Laryngoscope Set, Baby and Infant,
 consisting of :
 04-1307-00 Battery Handle (without battery)
 04-1307-10 Miller-baby blade, Fig 0
 working length 55 mm
 04-1307-11 ditto, Fig 1 working length 80 mm



Negus
 18 mm dia
 04-1308-00



Conventional Handles

	Size	Batteries
04-1309-01	Medium/Standard	2C
04-1309-02	Small/Penlight	2AA
04-1309-03	Stubby	2AA
04-1309-04	Large	2D



Fiber Optic Handles

	Size	Batteries
04-1310-01	Medium/Standard	2C
04-1310-02	Small/Penlight	2AA
04-1310-03	Stubby	2AA
04-1310-04	Large	2D



Schimmelbusch
 04-1311-01 Child
 04-1311-02 Adult



Magill
 04-1312-15 15 cm/6" Infant
 04-1312-20 20 cm/8" Child
 04-1312-25 25 cm/10" Adult



Yankauer
 04-1313-01 Child
 04-1313-02 Adult



Connel
 04-1314-01 Child
 04-1314-02 Adult



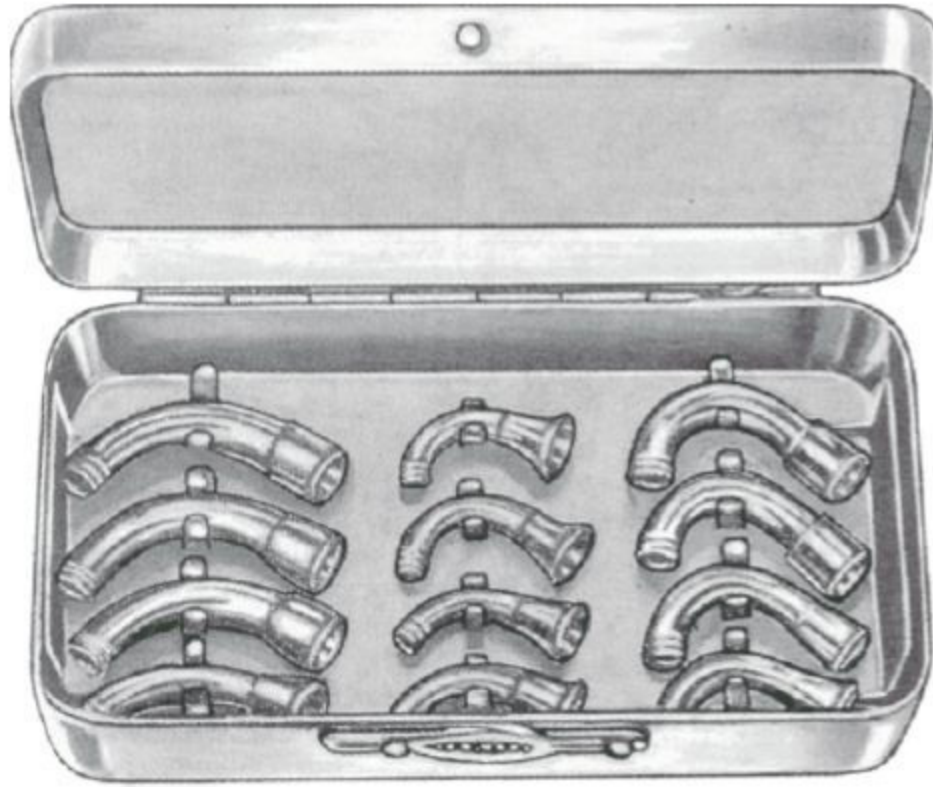
04-1315-01



Lumbard-Mayo
 04-1315-02



04-1315-03



Magill
 Connection Set
 04-1316-00



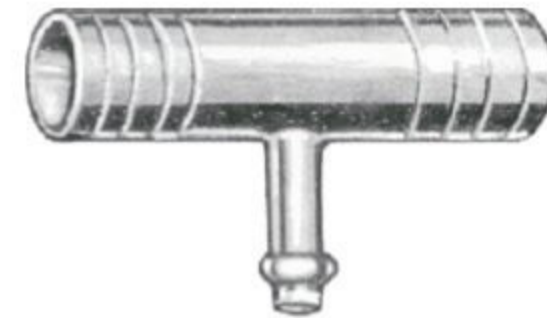
Magill (Nasal)	mm dia
04-1316-01	5.5
04-1316-02	6.5
04-1316-03	7.5
04-1316-04	8.0
04-1316-05	8.5
04-1316-06	9.5
04-1316-07	10.0
04-1316-08	10.5



Magill (Aural)	mm dia
04-1317-01	5.5
04-1317-02	6.5
04-1317-03	7.5
04-1317-04	8.0
04-1317-05	8.5
04-1317-06	9.5
04-1317-07	10.0
04-1317-08	10.5



Cobb
 04-1318-01 Small
 04-1318-02 Medium
 04-1318-03 Large



Ayre
 04-1319-01 Small
 04-1319-02 Medium
 04-1319-03 Large



Hamilton Bailey
 04-1320-01 Infant
 04-1320-02 Child
 04-1320-03 Adult



Mitchell
 04-1321-18
 04-1321-20
 38 mm