

- EN** Trocars, Vaccination
- DE** Impfen, Punktion
- ES** Vacunación, Punción

Page 21 to 27





Nelson
 Ø mm 21cm/8¼"

7.5	03-1201-07
9.0	03-1201-09
10.5	03-1201-10
12.0	03-1201-12



Ochsner
 Ø mm 14.5cm/5½"

4.0	03-1202-40
4.6	03-1202-46
5.5	03-1202-55
6.5	03-1202-65

Ø5.5 mm



Krause
 03-1203-15
 15cm/6"

Ø2.25 mm



Coakley
 03-1204-16
 16cm/6¼"

Ø1.8 mm



Lichtwitz
 03-1205-19
 19cm/7½"

Ø3 mm



Douglas
 03-1206-11
 11.5 cm/4½"



03-1207-11
 11.5 cm/4½"



Pierce
 Ø mm

3.0	03-1208-03
4.0	03-1208-04
5.0	03-1208-05

Ø 2 mm



Landau
 03-1209-16
 16cm/6¼"

Ø 2 mm



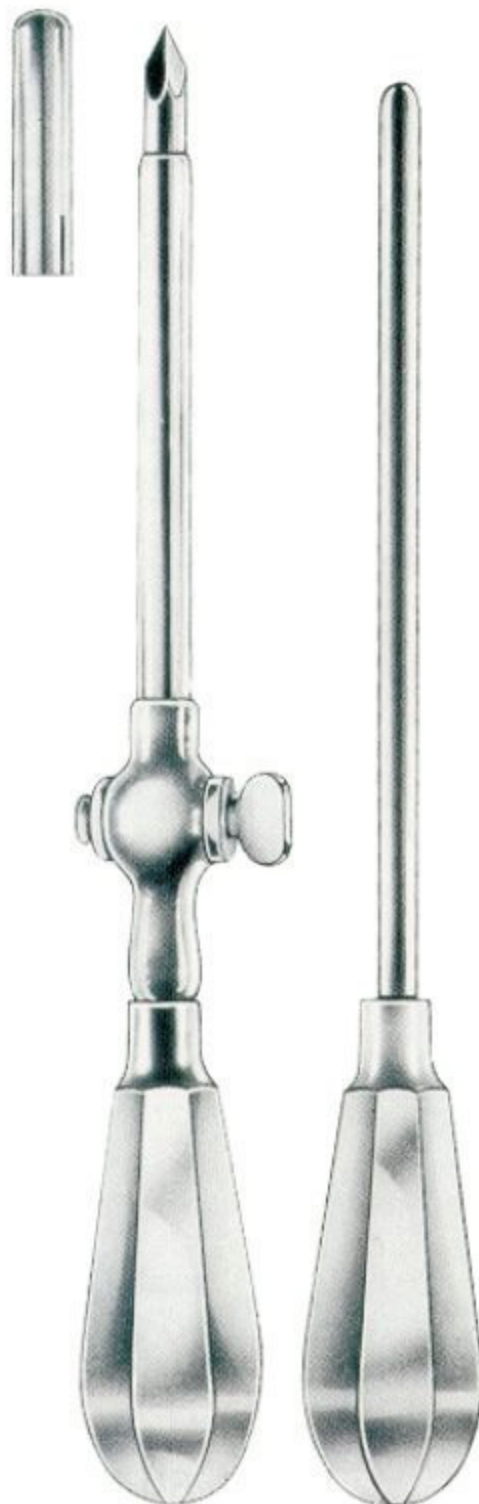
Landau
 03-1210-19
 19cm/7½"

Ø 13.5mm



Pean
 03-1211-16
 16cm/6¼"

Ø 8 mm



Buelau
 03-1212-24
 24cm/9½"

Brain Suction Tubes



∅
 2.0 mm 03-1213-20
 2.5 mm 03-1213-25
 3.0 mm 03-1213-30
 13cm/5"

Frazier

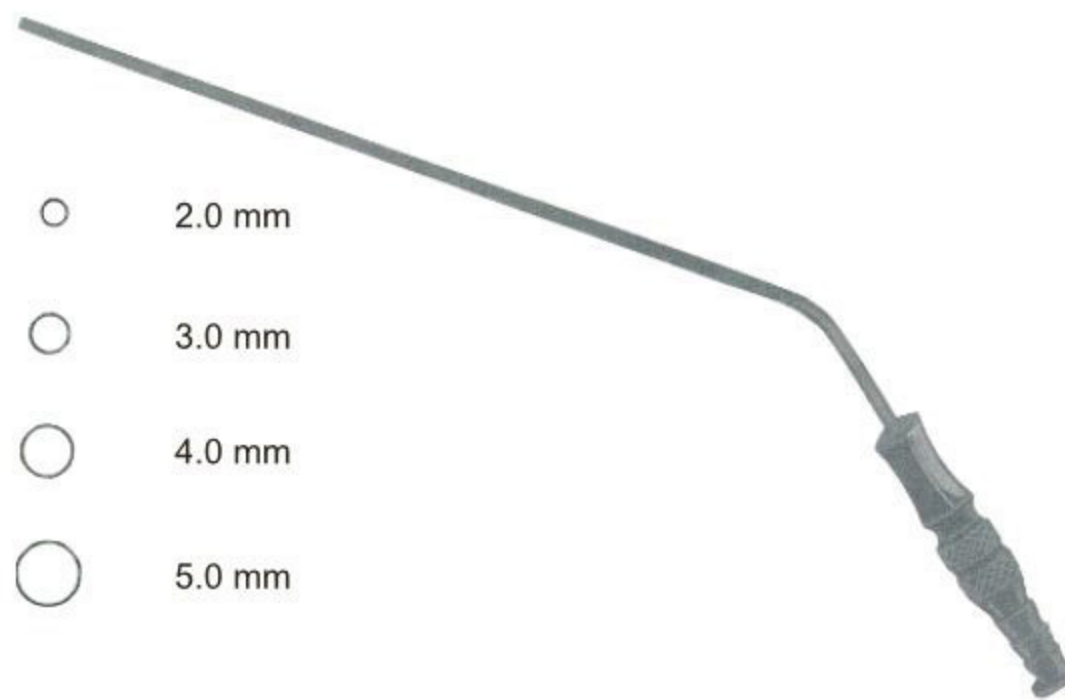


∅
 1.5 mm 03-1214-15
 2.0 mm 03-1214-20
 2.5 mm 03-1214-25
 3.0 mm 03-1214-30
 19.5cm/7¾"

Plester



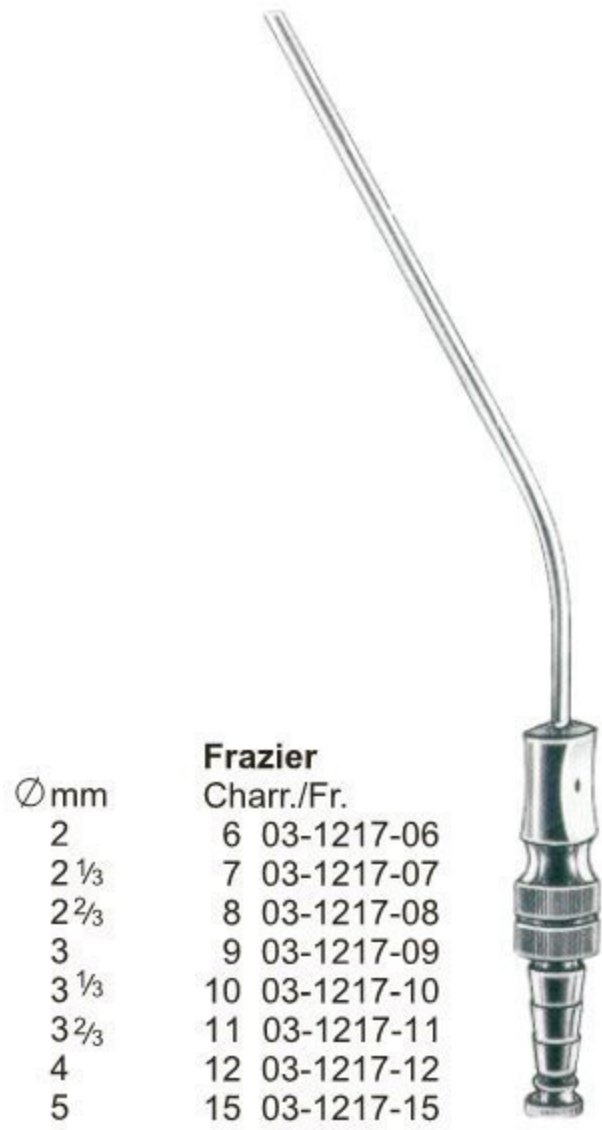
Adson
 03-1215-02
 21cm/8¼"
 ∅4 mm



- 2.0 mm
- 3.0 mm
- 4.0 mm
- 5.0 mm

∅ malleable, black
 2 mm 03-1216-02
 3 mm 03-1216-03
 4 mm 03-1216-04
 5 mm 03-1216-05
 19.5cm/7¾"

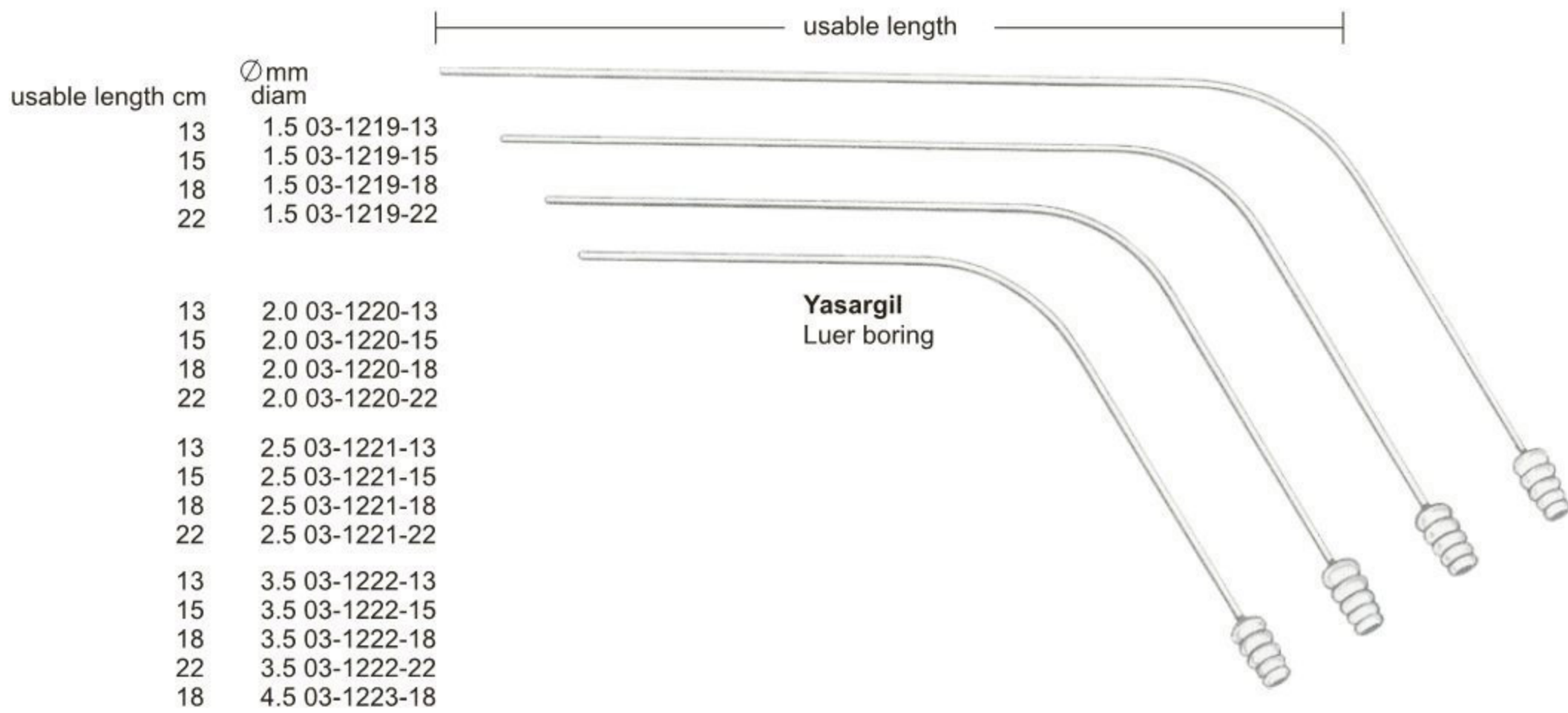
Suction Tubes ● EN
 Saugrohre ● DE
 Tubos de aspiración ● ES



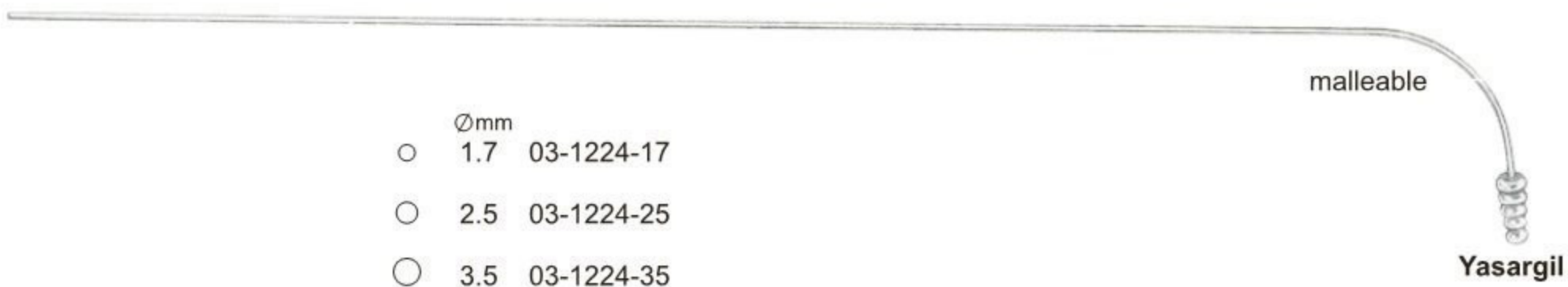
Frazier	
Ømm	Charr./Fr.
2	6 03-1217-06
2 1/3	7 03-1217-07
2 2/3	8 03-1217-08
3	9 03-1217-09
3 1/3	10 03-1217-10
3 2/3	11 03-1217-11
4	12 03-1217-12
5	15 03-1217-15



Ferguson	
Ømm	Charr./Fr.
2	6 03-1218-06
2 1/3	7 03-1218-07
2 2/3	8 03-1218-08
3	9 03-1218-09
3 1/3	10 03-1218-10
3 2/3	11 03-1218-11
4	12 03-1218-12



usable length cm	Ømm diam
13	1.5 03-1219-13
15	1.5 03-1219-15
18	1.5 03-1219-18
22	1.5 03-1219-22
13	2.0 03-1220-13
15	2.0 03-1220-15
18	2.0 03-1220-18
22	2.0 03-1220-22
13	2.5 03-1221-13
15	2.5 03-1221-15
18	2.5 03-1221-18
22	2.5 03-1221-22
13	3.5 03-1222-13
15	3.5 03-1222-15
18	3.5 03-1222-18
22	3.5 03-1222-22
18	4.5 03-1223-18



Ømm	
○ 1.7	03-1224-17
○ 2.5	03-1224-25
○ 3.5	03-1224-35



Yankauer
 03-1225-27
 27cm/10½"



Yankauer
 03-1226-27
 27cm/10½"

with stopcock



Yankauer
 03-1227-01



Fig. 0
 03-1227-10



Fig. 1
 03-1227-11



Fig. 2
 03-1227-12



Fig. 3
 03-1227-13

03-1227-50 SET



∅ 6 mm
 round

Nuboer
 03-1228-01
 21cm/8¼"



6 mm
 ovale

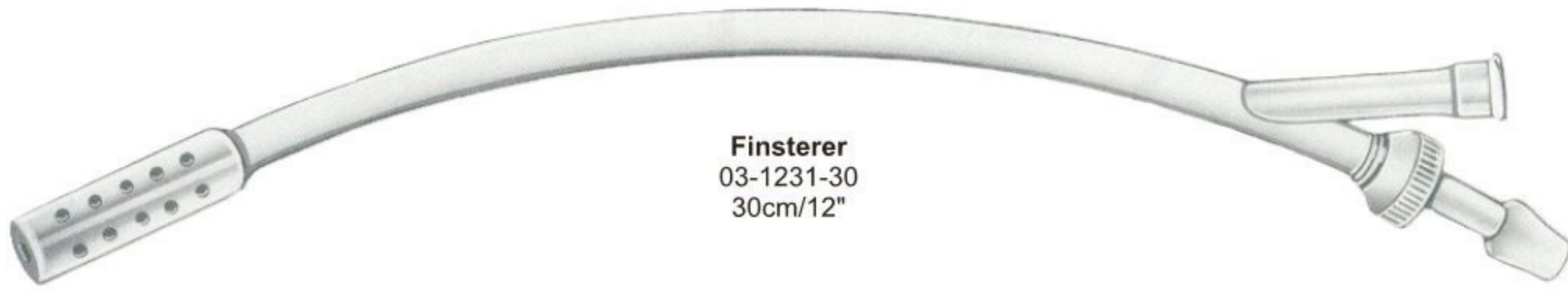
Nuboer
 03-1229-02
 21cm/8¼"



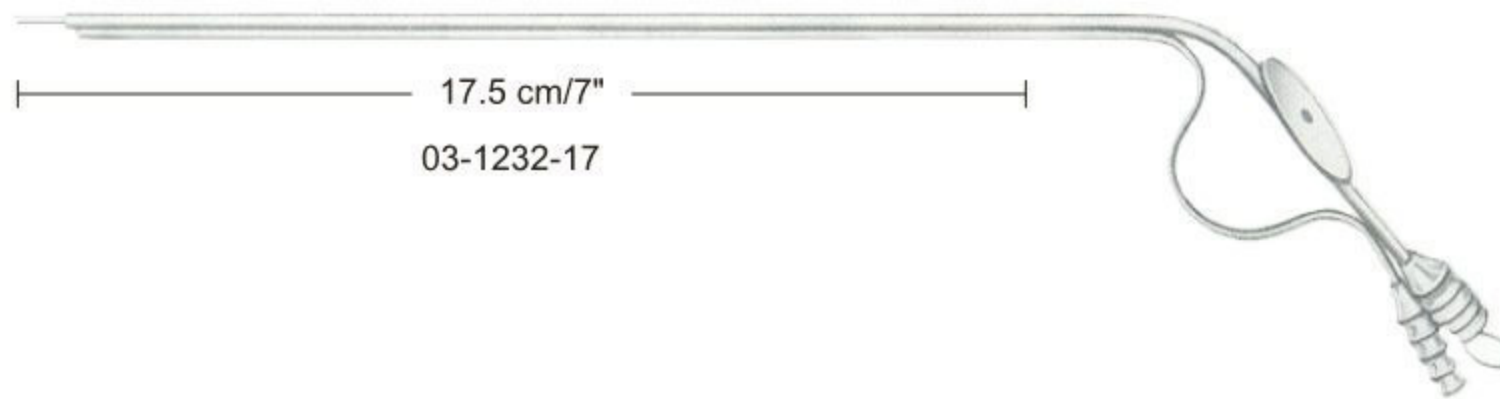
∅ 6 mm

Andrew-Pynchon
 03-1230-23
 23 cm/9"

Suction Tubes ● EN
 Saugrohre ● DE
 Tubos de aspiración ● ES



Finsterer
 03-1231-30
 30cm/12"



17.5 cm/7"
 03-1232-17



Baby-Poole
 03-1233-20
 20cm/8"



Poole
 03-1234-22
 22cm/8¾"



Poole
 03-1235-22
 22cm/8¾"

